

X4



4.060 - 4.070 - 4.080


McCORMICK
Power Technology.





McCORMICK X4: YOUR DO-IT-ALL COMPANION

McCormick never ceases to amaze. Relying on its ability to develop simple, convenient and innovative technology solutions, McCormick has built the new **X4** series, a range of light utility tractors designed with simplicity, efficiency and versatility in mind.

Available in both cab and ROPS versions, the **X4** is ideally suited to meet the needs of farmers that require a low cost, all-round tractor. Perfect for wide row vineyards and orchards, the **X4** is equally at home plowing tilling and harrowing small plots of land as well as sowing and hay making. Its excellent all-round visibility ensures safe loader work and its compact size allows for optimum maneuverability inside barns and sheds, while its stability will ensure safe operation on sloping terrain and during road transport. All these features turn the **X4** tractor into a true champion of productivity.

The new **X4** sports a modern, cutting-edge design whose strongest point is the Total View Slim cab. Completely redesigned according to automotive industry standards, the new cab offers a variety of convenience features designed to maximize the operator's comfort. The key features of the new cab include a low-profile roof with a transparent hatch for extra

visibility during loader operations, a flat-deck platform, an efficient climate control system and ergonomically-arranged controls. The new **X4** offers a choice of two transmissions: a 24/24 Speed Four transmission with synchro shuttle and mechanical Hi-Lo and a 12/12 Power Four transmission with power shuttle. The range comprises three models delivering 61 hp, 68 hp and 75 hp.

The strong points of the **X4** series tractors from McCormick include:

- Specially-built transmission;
- Four-wheel drive front axle with limited slip differential;
- Wheelbase of 2110 mm;
- Mechanically-operated rear hitch with 3000 kg lift capacity;
- Optional front hitch and PTO;
- Open-center hydraulic system with 52 + 30 l/min flow rate;
- Urea-free exhaust after-treatment for greater simplicity and lower operating costs.

When you choose a McCormick **X4**, you are choosing a trusted companion that will deliver reliability, efficiency and productivity. Because the name McCormick stands for smart technology.

HIGHLIGHTS

Cab

- › Total View Slim cab: maximum visibility and transparent roof hatch, ergonomic controls and automotive-grade fit and finish.
- › Driver's seat with optional air suspension.
- › Flat-deck platform for maximum operating comfort.
- › Low-profile cab roof for easy access to low-ceiling barns and sheds.
- › In-cab battery cut-off switch.

Transmission

- › 24/24 Speed Four transmission with mechanical Hi-Lo.
- › 12/12 Power Four transmission with power shuttle.

Axles

- › Rigid-mounted front axle with limited slip differential lock.

Hydraulic system

- › Open-center hydraulic system: 52 l/min for hitch and remotes, 30 l/min for steering.

- › Rear hitch with up to 3000 kg lift capacity.
- › Rear PTO with 540/540E rpm plus ground speed.
- › Up to 3 rear- and 2 mid-mounted remote valves.
- › Front loader and optional front hitch and PTO.

Engine

- › Kohler KDI 2504 TCR 2.5L turbo intercooled engine delivering up to 75 hp.
- › Stage IV/Tier 4 Final emissions regulations.



HYDRAULIC SYSTEM

PTOs - Rear & front
hitches - Remotes
page 16

CAB

Comfort - Visibility
page 6

ENGINE

Powers - Consumptions
page 25



TRACTION

Front axle
page 13

TRANSMISSION

Speed Four / Power
Four page 11



TOTAL VIEW SLIM CAB, DESIGNED TO MAKE YOU FEEL AT HOME

Welcome to first class!

The Total View Slim cab makes you feel at home. Large, rear-hinged doors provide easy access to the driving position. The flat-deck platform makes the cab spacious and comfortable, reducing operator fatigue and stress during long working days in the field. A highly-efficient climate control system maintains an ideal cab temperature whatever the outdoor weather conditions. Every detail in the Total View Slim cab is designed to keep you comfortable while working.

Excellent all-round visibility.

With plenty of room, large glazed areas and a transparent roof hatch, the Total View Slim cab provides unrestricted all-round visibility. This makes front loader operations and manoeuvring in tight quarters, where full visibility at close range is critical, easier and safer.

Total View Slim cab: ergonomic design improves efficiency.

The interior of the Total View Slim cab with its automotive-grade fit and finish, excellent soundproofing, ergonomically-arranged controls and tilt-adjustable telescopic steering wheel has been designed to make daily work more relaxed and fatigue free. The ease of use of the **X4** tractor reduces operator stress, improving efficiency and productivity.

TOTAL VIEW SLIM CAB, YOUR CONTROL CENTER

A spacious environment, a flat floor, efficient sound insulation, automotive-grade fit and finish, ergonomically-arranged controls, a steering wheel that tilts with the instrument panel: the Total View Slim cab is designed to offer the operator maximum comfort and ease of use, making long working days in the field less tiring and stressful.

The climate control system, conveniently integrated into the low-profile roof, maintains a comfortable working environment whatever the outdoor weather conditions. The air conditioner filters are located on either side of the cab roof and are easily accessed for cleaning. The cab's generous glazed area provides unobstructed 360-degree visibility for easy manoeuvring in tight spots, where close-range work is required. The Total View Slim cab meets FOPS (Falling Objects Protecting Structure) safety standards for the use of front-end loaders and features a transparent roof hatch for extra visibility during loader operation. Equipped with a suitable tyre size, the **X4** tractor reaches a minimum width of only 1820 mm, making it ideal for working between orchard rows.



ACCESS TO DRIVING POSITION

Wide, sturdy access steps and handrails fitted to the cab posts and to the doors allow operators to safely climb up and down the tractor. Fully glazed rear-hinged doors provide easy access to the driving position.

DRIVER SEAT AND HIDE-AWAY BUDDY SEAT

Large and comfortable, the driver seat offers the option of either a mechanical or air-suspension system that can be adjusted to suit the driver's weight. Passengers can also travel in comfort thanks to an upholstered buddy seat, which neatly folds away to allow easy access to the cab.



HIGHLIGHTS

- › Total View Slim cab: transparent roof hatch for maximum visibility, ergonomic controls and automotive-grade fit and finish.
- › Driver's seat with optional air suspension.
- › Flat-deck platform for maximum operating comfort.
- › Low-profile cab roof for easy access to low-ceiling barns and sheds.
- › In-cab battery cut-off switch.



CLIMATE CONTROL SYSTEM

A highly-efficient heating, ventilation and air conditioning system integrated into the cab roof maintains the desired cab temperature whatever the outdoor weather conditions. The climate control system relies on rear air vents to distribute the conditioned air evenly throughout the cab without exposing the operator to direct air flow. Natural ventilation is ensured by the opening front and rear windows and by the tilting roof hatch.



INSTRUMENT PANEL AND STEERING WHEEL

The X4 features a telescopic, tilt-adjustable steering wheel. The instrument panel, which tilts with the steering column, features intuitive, user-friendly digital and analog instruments for easy control of tractor functions.

ROPS version

Designed to offer a high level of comfort, the ROPS version of the X4 tractor is iso-mounted to minimize vibrations. The driving position is easily accessible and the flat floor creates a spacious feel that reduces operator fatigue. All controls are ergonomically arranged and easy to use. For added operator protection, the driving platform is equipped with a two-post ROPS that folds down allowing the tractor to negotiate low-hanging branches and narrow orchard and vineyard rows.



THE McCORMICK X4 KICKS YOUR PRODUCTIVITY INTO HIGH GEAR

Simple transmissions for efficient and reliable performance.

McCormick's design philosophy is clear: to ensure excellent performance in any work situation. That's why all transmissions used on the **X4** range, from mechanical gearboxes to latest-generation power shuttles, are designed and constructed to offer operators the highest level of comfort and productivity.

With the X4 you choose the transmission that's geared to your needs.

McCormick knows how important is to have a transmission that's suited to your requirements. The **X4** series allows farmers to choose from a variety of transmission solutions to meet their specific needs. This improves operator performance and increases productivity.

McCormick transmissions help you stay on the safe side.

The **X4** tractor allows the operator to adjust the speed of reversal in a fast, simple manner, without assistance from a technician. You can also engage the hydraulic gear splitter (Hi-Lo) on the go for maximum safety on all terrains and in any weather conditions.



RUGGED TRANSMISSIONS FOR VERSATILE AND EFFICIENT PERFORMANCE



The name McCormick stands for uncompromising technology. Staying true to its design philosophy, McCormick has developed a range of rugged and efficient transmissions to meet every customer's needs.

For the **X4** tractor range, McCormick offers two transmission configurations:

- A Speed Four transmission with mechanical Hi-Lo that provides 24 forward and 24 reverse speeds. This transmission offers precise smooth gear changes for maximum operating comfort.
- A Power Four transmission with power shuttle providing 12 forward and 12 reverse speeds. This configuration is ideal for those tasks requiring frequent forward/reverse shifting and helps increase operator comfort during long working days in the field.



SYNCHRO SHUTTLE

The synchro shuttle is conveniently controlled by a lever adjacent to the steering wheel.

HIGHLIGHTS

- › 24/24 Speed Four transmission with mechanical Hi-Lo.
- › 12/12 Power Four transmission with power shuttle.

Speed Four transmission

The Speed Four transmission with mechanical Hi-Lo offers four synchronized speeds and three mechanical ranges providing 24 forward and 24 reverse gears. Optimal spacing of gear ratios ensures the operator always has the right speed for every application.

Power Four electrohydraulic transmission

Designed with reliability in mind, the Power Four electrohydraulic transmission provides 12 forward and 12 reverse speeds. The steering column power shuttle allows quick and convenient forward-reverse shifting.



McCORMICK X4: BUILT-IN LIGHTNESS



Soil compaction? A thing of the past.

With the **X4** soil compaction is no longer an issue. Thanks to an optimal weight distribution of 45 per cent at the front and 55 per cent at the rear, which makes it the best balanced tractor in its class, the **X4** eliminates soil compaction once and for all.

McCormick X4, simply precise.

The **X4** is precise and easy to drive, which means the operator can better concentrate on the job in hand and will feel less fatigued at the end of a long working day. The result is more productivity and less stress.

Spring-on system for best four-wheel drive performance.

A quick-connect spring-on device ensures efficient four-wheel drive performance in any situation. The spring-on system prevents slippage and allows operator to stay focused on the task at hand.

HIGHLIGHTS

- › Rigid-mounted front axle with limited-slip differential lock.

The **X4** series offers outstanding traction and manoeuvrability ensuring great stability on all terrains and excellent grip capability when travelling on the road. The rugged front axle is equipped with limited slip differential lock and electrohydraulic four-wheel drive engagement. This ensures maximum efficiency and safety when working with a front hitch or a front loader. The rear axle is sturdy and reliable. Combining wide front axle oscillation and high ground clearance with a 55-degree steering angle, the **X4** tractor provides optimum manoeuvrability in any situation. In addition, the hydrostatic drive delivers smooth steering control even at low engine rpm.

THE X4 KNOWS HOW TO DRIVE PRODUCTIVITY





HYDRAULIC SYSTEM TAILORED TO YOUR NEEDS

A mechanical rear hitch that makes every task easier.

At McCormick, we believe technology research must lead to the development of really useful solutions. For this reason, the rear hitch of the **X4** is equipped with drop rate control and transport lock for safe road travel. The tractor can be optionally fitted with external hitch controls on the rear fenders making it easier to attach implements from the ground. Also available as an option is the Ergonomic Lift System (ELS) which allows the operator to raise and lower the implement by the simple click of a button. The ELS system makes for quicker headland turns, thereby reducing working time and fuel consumption.

The remote valves can be configured to your requirements.

The **X4** can be equipped with a varying number of rear- and mid-mounted remotes, all conveniently operated by a joystick controller, and with flow diverter valves to further enhance the tractor efficiency.

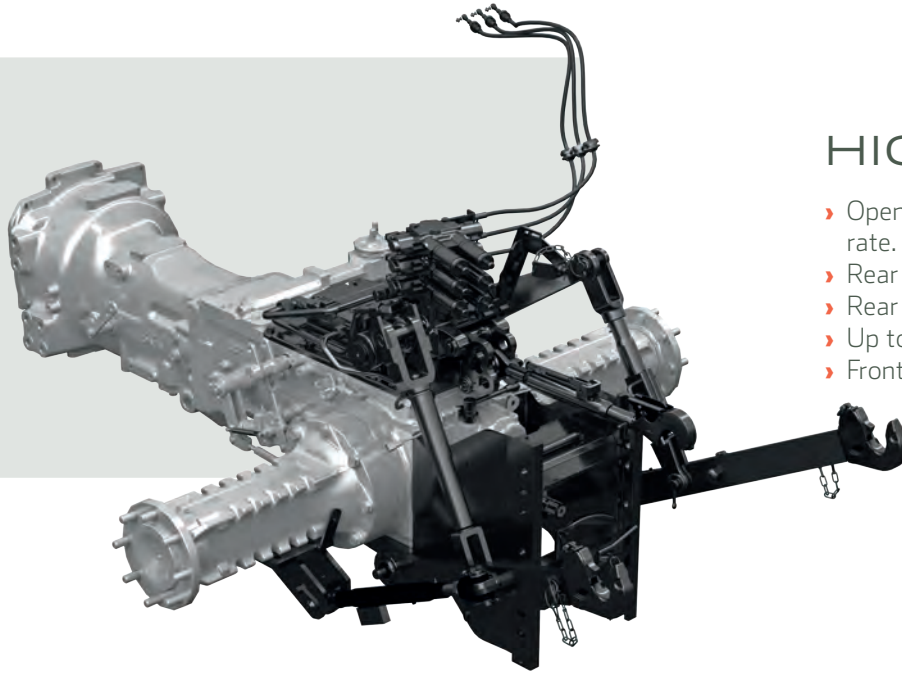
Looking for a precise, easy-to-use rear hitch? McCormick has the right solution for you.

To ensure precise and safe implement operation, the mechanical rear hitch of the **X4** features a drop rate control and a transport lock for road travel. Rugged and reliable, the rear hitch provides a maximum lift capacity of 3000 kg.

A HYDRAULIC SYSTEM THAT BOOSTS YOUR **PRODUCTIVITY**

The hydraulic system of the **X4** can be fully customized to suit each farmer's needs. Thanks to its extreme versatility, this tractor can be simultaneously fitted with a mechanically-operated rear hitch and with either a front hitch and PTO or a front loader, resulting in enhanced productivity.





HIGHLIGHTS

- › Open-center hydraulic system with 52 + 30 l/min flow rate.
- › Rear hitch with up to 3000 kg lift capacity.
- › Rear 2-speed PTO plus ground speed PTO.
- › Up to 3 rear- and 2 mid-mounted remote valves.
- › Front hitch and PTO.

Mechanical hitch designed for high efficiency

The **X4** tractor range comes standard with a rugged and reliable mechanical rear hitch with Category 2 three-point linkage that guarantees precise implement operation. The hitch is equipped with drop rate control and transport lock for safe road travelling. The tractor can be optionally equipped with quick-release couplings and external hitch controls on the rear fenders, making it easier to attach implements from the ground. Also available as an option is the Ergonomic Lift System (ELS) which allows the operator to raise and lower the hitch by the simple click of a button. This makes for faster headland turns, resulting in reduced working time and increased productivity.

TWO-SPEED PTO

The **X4** offers two PTO speeds of 540/540E rpm plus a ground speed. A mechanical control with power-assisted push button enables smooth and modulated engagement of the PTO, ensuring a soft start-up of the implement in any situation.



HIGH-PERFORMANCE HYDRAULIC SYSTEM



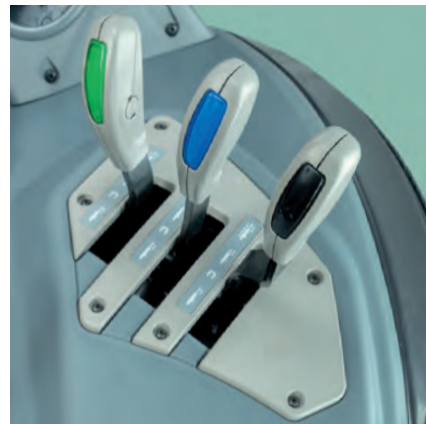
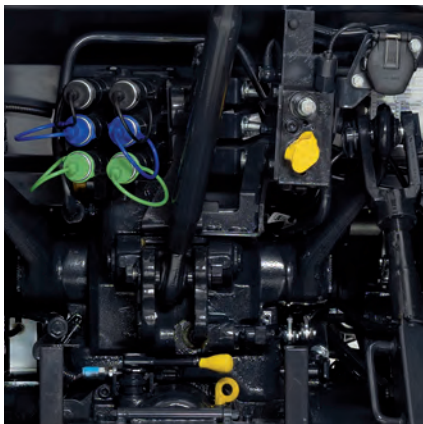
The hydraulic system of the **X4** range features two pumps. One pump provides a flow rate of 30 l/min to the steering system ensuring smooth and precise turning in the field and on the road for enhanced operator comfort and productivity. The other pump supplies 52 l/min to the hitch and remote valves.

To further enhance the tractor hydraulic performance, the **X4** range comes standard with a pressure-free return line to the oil tank. This solution prevents oil overheating doing away with the need for continuous flow rate adjustment, and eliminates backpressure, thereby optimising implement operation.

The **X4** can be equipped with up to five remote valves, three rear-mounted and two mid-mounted. The mid-mount remotes, operated by a joystick, allow the use of either a front hitch or a front loader. The **X4** tractor offers four types of remote valves that can be used in combination to suit different application needs:

- **Standard:** double-acting.
- **Kick-out:** with automatic detent release.
- **Float:** for implements that follow the ground contour.
- **Hydraulic motor:** for the use of implements equipped with one or more hydraulic motors.

Each option allows the tractor to work with a variety of implements for maximum efficiency and productivity. Ergonomically-arranged high-quality quick-release couplings allow quick connection/disconnection of hydraulic lines for fast operation.

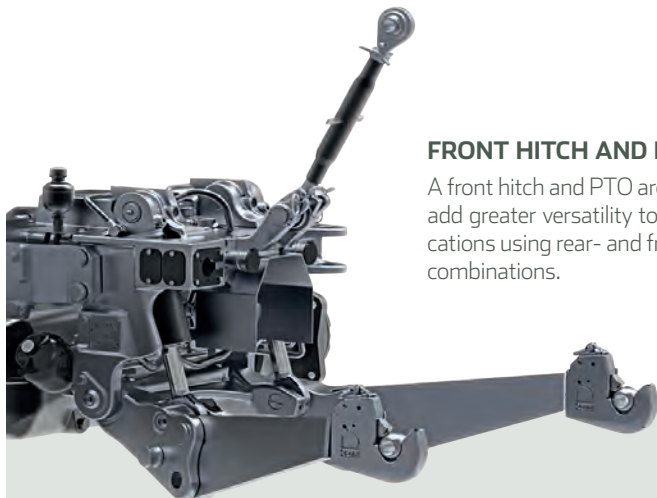


MCCORMICK FRONT LOADERS AND X4 TRACTORS: BORN TO STAY TOGETHER

Developed to be integrated into the **X4** tractor range, McCormick original front loaders are factory installed. Specially designed to enhance the performance and flexibility of the **X4** tractor range, the McCormick front-end loaders will ensure:

- › **Versatility:** They allow the use of a wide range of implements for a variety of applications. A new mounting frame makes mounting and removing the loader quick and easy.
- › **Productivity:** Designed with optimal dimensions and weights, perfectly balanced and equipped with excellent connection points, McCormick front loaders enhance the efficiency of the **X4** tractors.
- › **Design:** McCormick front loaders perfectly match the design of the **X4** tractors, without compromising on turning radius.

Thanks to a conveniently placed joystick and a high-visibility transparent roof hatch, the operator can remain comfortably seated in the driving position while working with the loader fully raised. Designed to be the perfect match for the **X4** tractors, the McCormick front loaders deliver maximum productivity in any application.



FRONT HITCH AND PTO

A front hitch and PTO are available as an option to add greater versatility to the **X4** tractor for applications using rear- and front-mounted implement combinations.





MORE SAVING, MORE TIME, MORE SAFETY: **THE X4 GIVES YOU MORE.**

With the X4 you save more fuel.

Doing away with the gas exhaust regeneration system and using the Engine Memo switch, which stores and recalls the engine speed best suited for the task at hand, the **X4** keeps fuel consumption to a minimum.

With the X4 you have more free time.

Under the hood of the **X4**, all main components are easily accessible and easy to check without removing any parts. Maintenance has never been so simple! And that's not all: service intervals are now longer and routine checks require only a few minutes, so you have more free time for yourself.

The X4 provides more safety for you and for the environment.

The EGR/DOC after-treatment system of the **X4** allows you to save fuel and reduce exhaust emissions.





HIGHLIGHTS

- › Kohler KDI 2504 TCR turbo intercooled engine delivering up to 75 hp.
- › Exhaust gas after-treatment with DOC system to meet Stage IV/Tier 4 Final emissions regulations.

NEW KOHLER KDI ENGINE FOR HIGH PERFORMANCE AND FUEL ECONOMY

The McCormick **X4** is powered by a Kohler KDI 2504 TCR four-cylinder, turbo intercooled engine with multivalve technology and electronic common rail injection system. The Kohler engine offers superior performance in terms of power, torque backup and fuel economy. In addition, the exhaust after-treatment system of the **X4** is urea-free, which simplifies electronics and improves fuel economy and reliability.

The **X4** is equipped with an 85-litre fuel tank which ensures many hours of operation without refuelling. Fuel efficiency is further enhanced with the Engine Memo switch, a device that allows the operator to store and recall the engine speed most suited to the implement used. This automation simplifies work and minimises the risk of error, thereby reducing operator's stress.



EGR/DOC system to meet Stage IV emissions regulation

The new exhaust gas recirculation system (EGR), combined with a diesel oxidation catalyst (DOC), enables the Kohler KDI 2504 TCR engine to fully meet Stage IV/Tier 4 Final emission regulations.





McCORMICK ORIGINAL SPARE PARTS, THE CORNERSTONE OF YOUR PRODUCTIVITY

Although it works hard, your McCormick tractor always looks good as new. With McCormick original parts time seems to have stopped. Our original spare parts are an integral part of our scheduled maintenance and extended warranty program. Developed by the same engineers who design and manufacture the McCormick tractors, genuine McCormick parts are designed and manufactured to the highest quality standards to ensure reliable and safe performance over time.

The strong points of McCormick original spare parts are the following:

- › Spare parts are always shipped within 24 hours of order receipt.
- › Each part comes with a 12-month warranty and is marked with a tamper-proof hologram that certifies the product's quality and originality.
- › Original McCormick parts are reliable and convenient: they improve your tractor performance, maintain high productivity levels and preserve your tractor's value. All McCormick spare parts rely on our extensive design and manufacturing expertise. Because when you choose McCormick, you are choosing quality without compromise.



POWER TECHNOLOGY, SINCE 1847

Cyrus Hall McCormick was born in Virginia, United States, in 1809. A keen inventor, he stunned the agricultural world with inventions that mechanized the farm work. In 1831 he invented the first mechanical reaper.

In 1847 McCormick established a factory for the production of grain harvesters. In 1866 the company adopted the red colour that still identifies the brand worldwide. In 1871 McCormick manufactured more machines than any other company in the world: 250 reapers per day. The first tractor, the Mogul 8-16, was launched in 1906. In those years, the company opened up factories in Canada, Great Britain, Germany, France and Sweden. In the following years, the company was purchased and sold several times. In 2000 McCormick was acquired by the Argo Group, which relaunched the brand under the name McCormick Tractors International Limited. Today, McCormick is a world leader in the tractor industry and its name stands for uncompromising technology and innovative design. Thanks to heavy investments in research and development, the new generation of McCormick tractors leads the market for performance and innovation. Farmers look for efficient, reliable and versatile solutions to maximize their productivity – and this is exactly what we are proud to offer our customers.

FRONT END LOADERS

Loader Model		L21	L26
Loader Type		Non-Self Leveling	Self Leveling
Max. Lift Height At Pivot Pin	in (mm)	122 (3098)	122 (3098)
Lift Capacity to Max. Height 31.5" (800 mm) Fwd of Pivot	lb (kg)	1870 (848)	2610 (1183)
Breakout Force from Ground Level 31.5" (800 mm) Fwd of Pivot	lb (kg)	3114 (1412)	3392 (1538)



Tractor Model		X4.060	X4.070	X4.080
Performance				
Max. ISO Engine HP @ 2200 RPM	HP (kW)	61 / 45	68 / 50	75 / 55
Max. ISO PTO HP @ 2200 RPM*	HP (kW)	51 / 45	57 / 42	63 / 46
Rated engine speed	rpm	2200		
Engine speed at max power	rpm	1400		
Max. Engine Torque @ 1400 RPM	lb ft (Nm)	285	310	310
Torque backup		46%	43%	30%
Engine				
Manufacture		KOHLER		
Engine Type		KOHLER T4F TCR 4 cyl engine 2.48L, 4 cylinder, Tier 4 with DOC intercooler and cooled external EGR		
Engine Size		2.9 Liter, 4-cylinder		
Fuel Capacity	gal (liter)	22.4 /85		
Drive Train				
Transmission Type		12 x 12 speeds; 4 gears and 3 ranges; synchronized mechanical shuttle with left hand shuttle lever, 25mph (40kph)		
Optional Transmission		16 x 16 speeds with creeper gear; synchronized mechanical shuttle with left hand lever, 25mph (40kph)		
Transmission contril		hand lever		
Forward/Reverse shuttle		synchro shuttle - O Reverse Power Shuttle		
Rear Axle		Heavy duty flange rear axle; internal planetary final drives; wet disc brakes		
Differential Lock		Fully locking rear differential; mechanical engagement via foot pedal		
4wd Front Axle		Push button 4wd engagement; outboard planetary final drives; automatic 4-wheel braking		
Tire Type		Radial tires standard		
Hydraulics, 3-point Hitch, PTO				
Hydraulic System/Max. Flow	gpm (lpm)	Open center system with separate steering and implement pumps		
Hydraulic Flow Rate	gpm (lpm)	Dedicated steering pump 5.3 (20); Dedicated implement pump 11.9 (45)		
Rear Remote Valves		1 standard, 2 optional; with ISO 1/2" quick couplers		
Rear 3-point Hitch Type		Category 2; mechanical operation; position and draft sensing		
3-point Lift Capacity @ Hitch	lb (kg)	5,952 (2,700)		
Rear PTO		540 RPM standard; 540/1000 RPM optional; mechanical engagement		
Operator's Area				
Operator's Area		Cab or 2-post folding ROPS		
Seat and Front Dash		ROPS: Adjustable vinyl seat, mechanical suspension; tilt steering wheel Cab: Cloth seat, air suspension; tilt and telescopic steering wheel		



McCormick North America
www.McCormickNA.com

updated: April 2023


Power Technology.