

# GASPARDO



***SP RANGE***

*Pneumatic precision seed drills*

# SP RANGE

## *Pneumatic precision seed drills*

Since 1834, GASPARDO has been designing and producing agricultural equipment to meet the needs of farmers all over the world, providing them with increasingly precise and innovative tools for their business activities. Of all the cutting-edge products and technologies bearing the GASPARDO brand, the SP range of precision seed drills are among the most popular and widely used internationally. The range boasts a selection of models for conventional seeding, with solutions designed to satisfy the specific requirements of agricultural operators around the world.

***Innovation leads the way with GASPARDO.***



# INDEX

The SP seeding unit	4
Precision and experience	6
Adjustments for distribution operations	7
Versions and features	8
Seed furrow closure	9
Custom options	10
MINIMAX fertiliser and microgranulator	12
Fixed frame seed drills	14
Seed drills with telescopic frame	16
Seeding monitors	18



# The SP seeding unit

## **Maximum seeding distance precision**

A uniform, finely-worked seed bed enables the SP unit to create the perfect environment for crop germination, optimising the nutrients and water in the soil and reducing the time it takes for seedlings to emerge.

## **No maintenance**

Self-lubricating bushings on the parallelogram plough pins.

## **Adaptation to ground contours**

The parallelogram linkage arm ensures that the unit remains vertical during travel, following the contours of the ground as closely as possible.

## **Pressure on the ground**

The adjustable load spring can be used to increase the pressure exerted by the implement on the ground to up to 55 kg.

## **No maintenance**

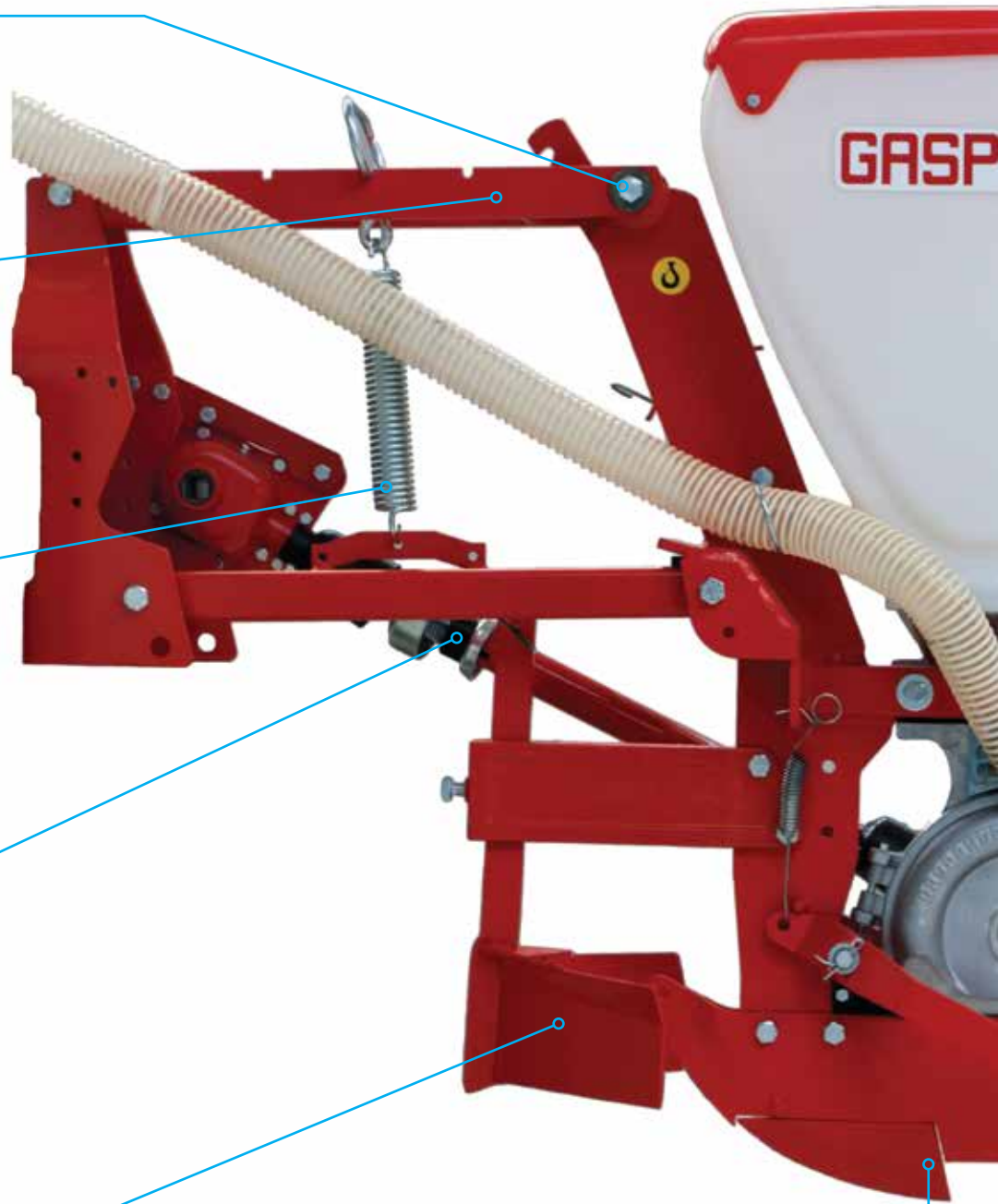
The quick-release drive shaft with constant-velocity cardan joint ensures that the seed disc rotation remains uniform, with no need for maintenance.

## **Work on smooth ground!**

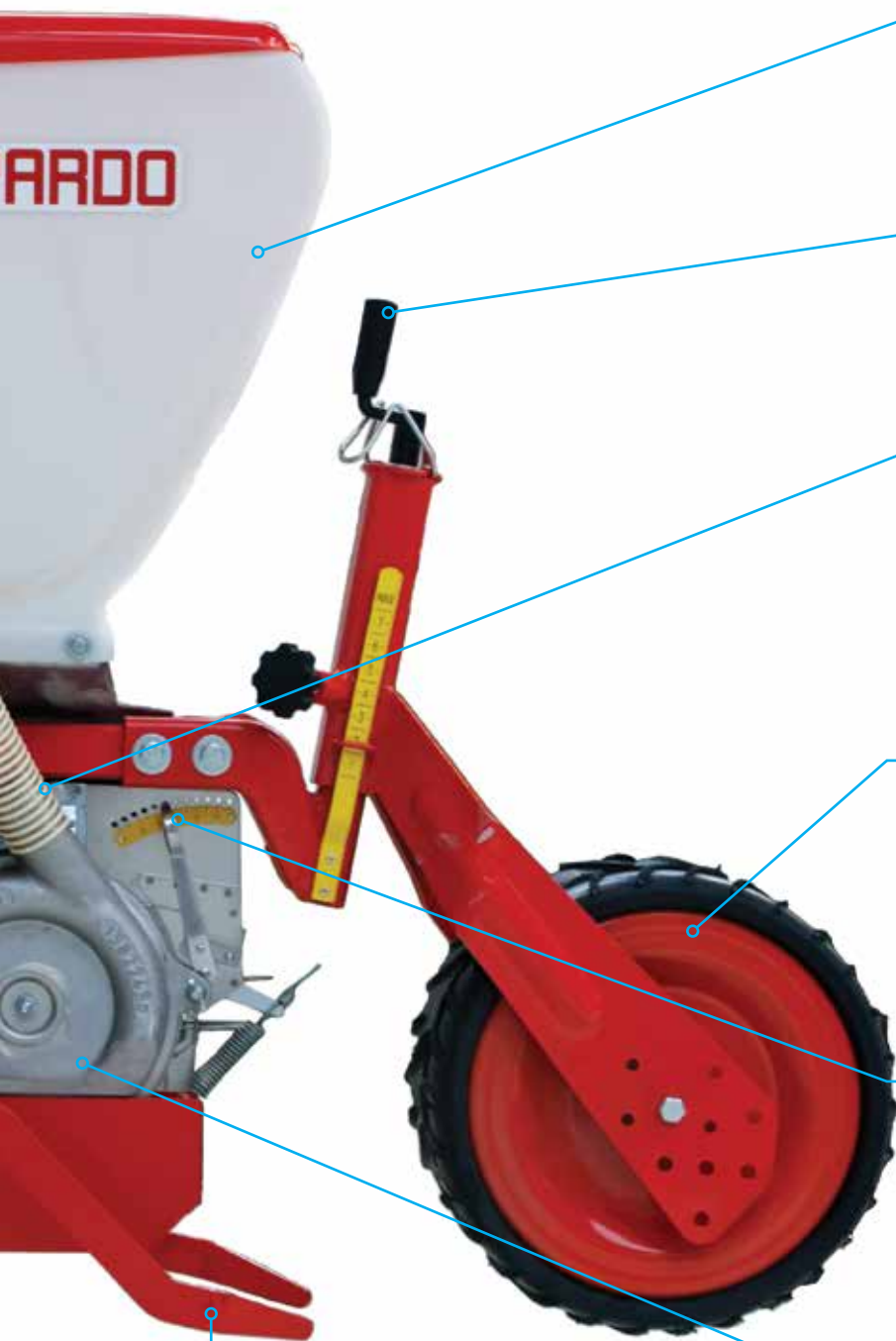
The clod deflector moves all of the larger clods of earth out of the way, allowing the coulter and depth wheels to work under optimum conditions.

## **A perfect furrow!**

The combination seed harrow creates a clean furrow opening, and it is quick and easy to replace worn blades, so operators can enjoy the best possible operating conditions at all times.



The SP unit is remarkably light, combining a simple structure with incredible seeding precision, courtesy of the reduced seed fall height from the distributor (just 140 mm). Each and every technical solution is practical and intuitive to use, making the operator's job easier and facilitating maintenance operations, as well as guaranteeing a better end result. The SP range consists of a selection of seed drills that are specifically designed to meet the needs of farmers who want to achieve maximum possible yield from expertly-machined terrain.



***Autonomy in the field***

34 litre hopper, easy access, reduced load height.

***Accurate depth control***

Convenient handle for continuous depth adjustment, from 1 to 10 cm.

***Delicate yet precise***

The pneumatic depression system enables extremely precise seed selection, handling the product gently to conserve its germination potential.

***Rapid, uniform germination***

The press wheel gently compacts the soil in the seeding harrow, improving seed adherence, with a number of benefits for germination.

***Precision***

The selector adjustment function guarantees ultimate planting uniformity, preventing both failed and double seeding.

***Effective seed furrow closure***

The seed-covering device spreads soil back over the newly-planted seeds, giving them the best possible chance of germinating correctly.

***Versatile***

The distributor features a quick-open cover, for easy seeding disc replacement.

# Precision and experience

## **Precision to the millimetre**

The precision seed drills in the SP range boast a distribution system that is both extremely reliable and easy to adjust, for quality seeding every time.



## **Pneumatic system**

The downward pressure generated by the turbine promotes seed adhesion on the seeding disk, for optimal distribution to the descent pipe regardless of irregularities in seed shape and size. The PTO transmission delivers 540 rpm as standard.

## **Selection device**

The seed selection process is controlled by a dual selector system. The preselector enables an initial selection to be made, and is interchangeable depending on the type of crop being planted. A second manually-adjustable selector enables a more precise seed selection to be performed, in accordance with the seed size. Seeds are selected on both sides of the hole, and the entire process can be monitored via the inspection window. The selector is quick and easy to adjust.



## **Cardan shaft transmission**

This exclusive GASPARDO system features bevel gears and a cardan shaft, ensuring fluid and uniform transmission of power to each individual seeding unit. Discs are not subject to the accelerated or slowed rotation that can occur on irregular and undulating terrain, and as such, the seeding distances in each row remain consistent at all times. Compared to chain machines, this innovative solution requires very little maintenance - indeed, the only operation required is the periodic lubrication of the bevel gears.

## **Reduced seed fall height**

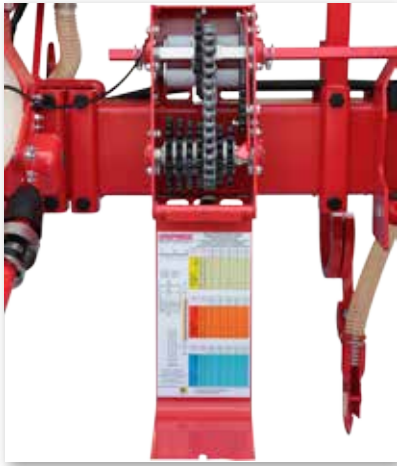
The seed release point on the distributor is just 140 mm above the bottom of the furrow. This minimises both fall time and potential rebound, making it even easier to ensure that seeds are positioned correctly at the desired seeding distance.



# Adjustments for distribution operations

## **Adjustment of seeding distance**

The system for adjusting the seeding distance consists of a mechanical pinion gearbox protected by a cover, and a further gearbox that is integrated into the transmission wheel unit.



## **More than 200 seeding distances available!**

A total of 42 transmission ratios are available, and when combined with the wide range of seeding discs, this feature provides operators with more than 200 potential seeding distances to choose from, ranging from 2.9 to 43.8 cm. Custom set-ups enable even greater seeding distances to be selected, up to 1.5 metres.

## **Choosing the right seeding disc**

GASPARDO offers an extensive range of discs for distributor bodies - a host of solutions designed for seeds of different types, with varying weights and dimensions. Each range of discs features a different number of holes of a specific diameter, for optimal seed selection.



**ST STELLA 6R**

# Versions and features

## **Maximum versatility**

There are 3 different variants of the SP unit, enabling this solution to be adapted to all soil and crop types. The configuration of the unit can be chosen when purchasing the machine or changed at a later date using the conversion kits designed for this purpose.



## **Standard version for maize**

Base version of the SP seed drill: the front clod deflector facilitates the action of the coulter boot. With the right seeding disc, this version is ideal for all crop types (from maize and sorghum to soy, cotton, sunflowers, beans, tomatoes and more) on well-worked soil.

## **Double disc version for soil with crop residues**

The 370 mm front double disc makes it easy to create perfect seed furrows, even on the most challenging terrain. This configuration also includes the front clod deflector and coulter boot. The soil scraper keeps the two discs clean.



## **Version for sugar beet**

The special sugar beet version is designed for use with small or pelleted seeds that need to be sowed at very shallow depths (sugar beet, rape-seed etc.). The configuration featuring a rocker arm with wheels ensures that the seed deposit depth remains totally consistent throughout the entire seeding operation. The seed presser wheel facilitates contact between the seed and the soil, promoting fast, uniform germination. The "V" shaped rear wheels guarantee perfect closure of the seed furrow.



# Seed furrow closure

## ***A perfectly closed seed furrow promotes uniform germination***

The job of the furrow closure assembly is to finish the seeding row after the combination seed harrow has opened the furrows, covering the seed with a fine layer of soil.

The pressure exerted on the soil serves to compact it, promoting soil-seed contact and creating the perfect environment for germination, encouraging rapid, efficient crop growth.



### ***Farmflex wheel***

The Farmflex press wheel (Ø 370 mm) compacts the soil over the seed furrow. It is the universal tool for sandy or finely-worked terrain - the optimal soil conditions for the SP device.



### ***2-inch "V" wheel***

This solution exerts greater pressure on the edges of the furrow: this enables easier closure than with the Farmflex wheel, particularly on tough or damp terrain.



### ***1-inch "V" wheel***

This wheel functions in a similar way to the 2" wheels, but is more effective on more compact seed beds. Indeed, the reduced surface area in contact with the ground further increases the pressure exerted.



# Custom options

## Accessories for the seed selector



### Seeding discs

For the perfect seed distribution speed, in line with crop type and seed density.



### Cover for small seeds

This cover promotes the adhesion of smaller seeds to the disc, as well as preventing seeds from escaping (for use with rapeseed, tomato and salad crops).



### Sugar beet seed ejector

This device facilitates the release of pelleted or treated seeds that can stick to the disc.

## Accessories for the depressor



### 540 and 1000 rpm hydraulic depressor operation

Ideal for combined seeding operations.



### Pulley kit and 750 or 1000 rpm depressor belt

Can be adapted for use with all tractors that do not operate at 540 rpm.



### API kit

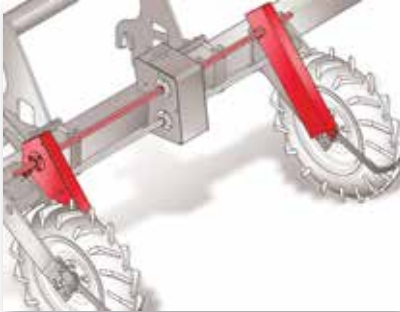
This kit protects useful insects from treatment residues, diverting them from the depressor discharge device.

## SP SPRINT 8R



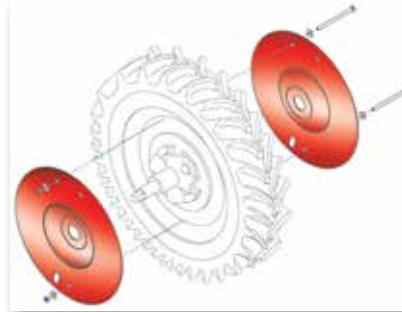
# An extensive range of accessories to meet any need

## Transmission accessories



### **Double transmission**

Particularly useful when increased ground hold is required.



### **Counter-flanges**

These protect the transmission wheels when working on rocky terrain.



### **6.50 or 7.50 transmission wheels**

For improved the grip on soft ground and a more fluid transmission.

## Accessories for the frame



### **Track eradicator**

The track eradicator breaks up compacted terrain, removing the wheel ruts left by the tractor.



### **Ridge seeding**

This system enables ridge seeding on raised ground, for more efficient surface irrigation.



### **Integrated trailer**

For easy transportation of larger fixed frame machines.



**SP SPRINT 4R**

# MINIMAX fertiliser

## ***The ideal fertilisation system***

Distributing fertiliser alongside the seed furrow reduces waste and improves efficiency. With GASPARDO, operators can customise their chosen fertiliser, selecting hoppers of different capacities in various materials - stainless steel, plastic or sheet metal - and combining these with the most appropriate positioning system for the type of terrain that they will be working.

### ***SPEEDY SET***

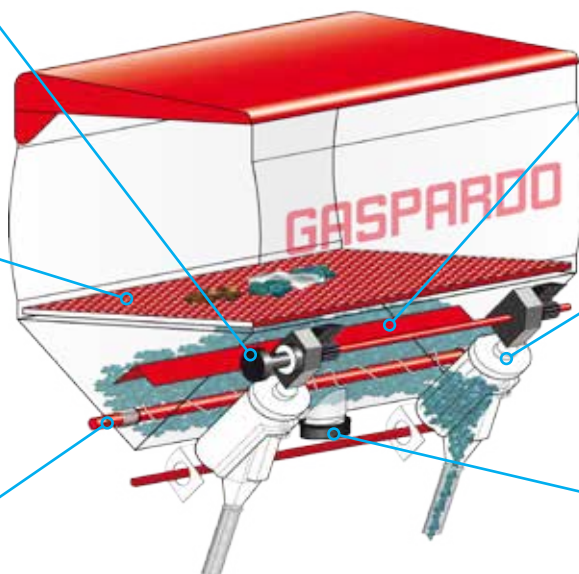
Centralised distributor adjustment: fast, precise and comfortable.

### ***No blockages***

The removable grille filters out any foreign bodies that could damage the distributors.

### ***Uniformity of distribution***

The agitator ensures the product is consistently conveyed towards the outlet nozzles.



### ***Uniform descent***

The flow deflector prevents the fertiliser from becoming compacted, enabling it to fall onto the ground in a uniform manner.

### ***MINIMAX volumetric distributor***

Easy to adjust for uniform distribution at different dosage levels: 50-700 kg/ha. This device is made from plastic, and as such, does not require lubrication.

### ***Easy to empty***

The nozzles allow the tank to be emptied for cleaning.

## ***Localised distribution of the fertiliser alongside the seed furrow***

### ***Coulter boot***

Suitable for well-prepared ground, and for fine soils in particular, with very little residual crop matter in the surface layer.

### ***Double disc***

Suitable for tougher worked ground, or for soils with crop residues in the surface layers.



# MINIMAX Microgranulator

## **For protecting crops against soil parasites**

The MINIMAX microgranulator kit is extremely practical and convenient, and is composed of a series of tanks that can be easily adjusted using the "SPEEDY SET" control function. This solution enables pest control product or fertiliser to be effectively distributed along the entire row. This technology has brought a host of significant advantages both in agronomic and environmental terms - indeed, in recent years, it has led to the diffusion of low-dose products designed to be delivered to the soil in precise amounts.

## **A range of different capacities**

Standard 16 litre tanks, with optional 30 litre tank available for maximum autonomy.

## **Rapid set-up**

SPEEDY SET is the system that enables centralised distributor adjustment: fast, precise and comfortable.

## **Protection**

The plastic casing protects the drive transmission unit from the MINIMAX distributors.

## **Precise dosing**

The MINIMAX volumetric dispenser delivers variable dosages ranging from 5 to 40 kg/ha. Plastic material means no oxidation.



## **Descent of the product**

The product descends from the microgranulator tank through a series of flexible plastic tubes, and is delivered directly into the seed furrow, for immediate seed protection or for the application of "starter" fertilisers.

## **Double microgranulator**

The combination of two microgranulators enables two different products to be distributed simultaneously. The product descends from the second tank and is delivered along the seed furrow between the furrow-cover wheels.



# Fixed frame seed drills



## SP SPRINT 6R

### SP SPRINT

The SP SPRINT is the base model of this range, and features a robust fixed structure - simple, yet highly effective. It can be used to create anything from 2 to 12 rows, with either 45 or 75 cm of space between rows. However, the compact size of the seeding unit leaves extensive scope for customisation, with distances from 37.5 cm upwards.

### Variants for all operating conditions

Three different variants of this seed drill are available: a standard version, a version with double front disc, or a version specifically designed for use with sugar beet. The fixed frame comes in a range of sizes from 190 to 580 cm, and is available with front or rear transmission wheels.



### Plastic hoppers

The SP SPRINT is available with multiple hoppers of 160 or 280 litres, depending on the length of the frame.





## SP SPRINT 4R

### Transmission wheels

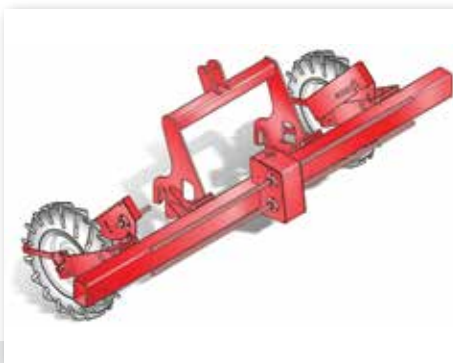
The transmission wheels enable optimal contact with the ground, for uniform, stable movement. Various sizes are available to satisfy all requirements, and wheels can be fitted in the rear (standard) or front position.



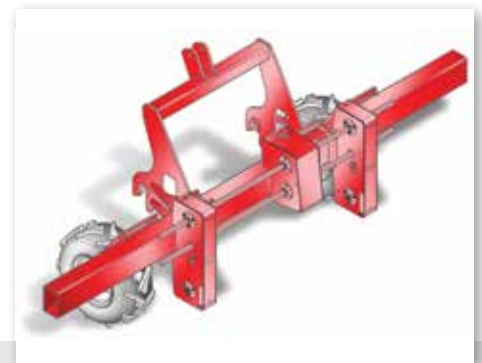
### Frames available



**Rear wheels**  
5.00 - 6.50 - 7.50



**Rear wheels**  
5.00 - 6.50



**Rear wheels**  
8.00

Model	Row spacing cm	Rows No.	Hopper no. x l	Frame length cm	Weight Kg
SP - 2R	75	2	2 x 90	190	330 - 425
SP - 4R	75	4	2 x 160	250	550 - 725
SP - 5R	75	5	2 x 160	320	615 - 780
SP - 5R sugar beet	45	5	2 x 160	275	668 - 875
SP - 6R	45	6	2 x 160	250	662 - 885
SP - 6R sugar beet	45	6	2 x 160	250	740 - 875
SP - 6R	75	6	2 x 280	420	692 - 915
SP - 8R	45	8	2 x 280	420	890 - 1140
SP - 8R	75	8	4 x 160	580	930 - 1155
SP - 12R sugar beet	45	12	4 x 160	580	1130 - 1320

# Seed drills with telescopic frame

## SARA 250 6R

### SARA

SARA is the 6-row pneumatic seed drill for maize that boasts an extremely compact road configuration. The special double-section telescopic frame can be closed, reducing the width of the drill to just 2.50 metres for road transport. The fertiliser version comes equipped with a generous 850-litre hopper made from stainless steel, for maximum resistance to corrosion.



### Telescopic frame

The double-extension telescopic frame gives the SARA a working width of 4 metres, but this can be reduced to as little as 2.50 metres for road travel. The large 8-inch transmission wheels are positioned on the front of the seed drill, for ultimate transmission accuracy.

### Stainless steel hopper

The stainless steel fertiliser hopper boasts a capacity of 850 litres, and is easy to fill with 500-600 kg "big bags". The SPEEDY SET centralised distributor adjustment system comes as standard.



Model	Row spacing cm	Rows No.	Hopper no. x l	Frame length cm	Weight Kg
SARA 250 - 6R	75	6	-	400	973 - 1042
SARA 250 - 6R BBX	75	6	1 x 850	400	1150 - 1196



## ST STELLA 6R



### ST STELLA

The ST STELLA is a 6, 7 or 8-row seed drill for row widths of 45, 60 and 75 cm. It features a single-section hydraulic telescopic frame, and measures just 3 metres across when configured for transport. The fertiliser version of this model can be equipped with two 200-litre plastic hoppers or a single 1200-litre hopper. The SPEEDY SET centralised adjustment system for fertiliser dosing comes as standard.



### Rear transmission wheels

The transmission wheels are positioned at the rear. The double-extension telescopic frame enables the width of this drill to be reduced to just 3 metres for road transport.

### Hopper types

The ST STELLA is available with a plastic double hopper with a capacity of 400 litres, or a 1200-litre sheet metal hopper for 6-row models, for excellent autonomy during seeding operations.



Model	Row spacing cm	Rows No.	Hopper no. x l	Frame length cm	Weight Kg
ST STELLA - 6R	75	6	2 x 200	400	993 - 1230
ST STELLA - 6R BBS	75	6	1 x 1200	400	1270 - 1285
ST STELLA - 7R	60	7	2 x 200	400	1061 - 1295
ST STELLA - 8R	45	8	2 x 200	400	1129 - 1365

# Seeding monitors

## All parameters kept under control

GASPARDO is a specialist in the field of precision seeding, and offers operators a range of controllers with displays, so that key parameters and electromagnetic row exclusion can be checked whilst working.



### HCS hectare counter

The HCS hectare counter enables operators to keep track of the portion of terrain that has already been worked: it provides an overall figure and a partial value, which can be reset when required.

- Total hectares
- Partial hectares

### V1200

The photocells installed on each of the units enable any seeding errors to be displayed on the monitor. If all the seed has been used, for example, or if an incorrect adjustment has led to too many instances of double seeding, a beep alerts the operator to the situation, enabling the unit that is causing the issue to be identified on the display. The system can be used with seed drills of up to 12 rows.

Seeding row alarm

- Total hectares
- Partial hectares



### MCE 6000 / MCE 12000

these monitors enable the seeding distance on each row to be checked in real time.

The device is also equipped with an alarm system that warns the operator when a fault occurs. The monitor can be used with seed drills of up to 6 (MCE 6000) or 12 rows (MCE 12000). The system is already enabled for use with electrical row exclusion technologies: a series of optional devices enable operators to exclude individual rows without moving from the driver's seat.

- Seeding row alarm
- Row-by-row seeding distance monitor
- Speed sensor
- Total hectares
- Partial hectares
- Enabled for use with row exclusion technologies.



# Quality seeding with GASPARDO



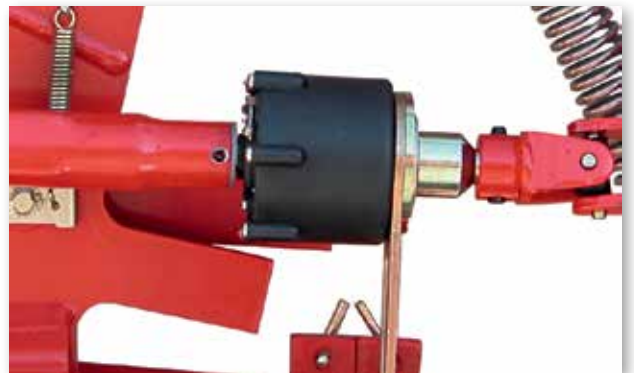
## **Photocell fitted onto the distributor bodies**

The photocells positioned by the distributor body outlets enable the operator to monitor seeding. The seeding row alarm warns the operator when the hopper is nearly empty.

## **Electromagnetic row exclusion**

The monitors make it easier to exclude individual seeding units, via the electromagnetic disconnectors positioned between the drive shaft joint forks.

The mechanical seeding system is stopped, avoiding any risk of seed breakage: this solution enables seeding to be stopped and started again in sync with the command given by the operator, or in other words, instantaneously.



**SP SPRINT 8R**

# GASPARDO

**MASCHIO GASPARDO S.p.A.**

Headquarters and production plant  
Via Marcello, 73  
I-35011 Campodarsego (PADUA) - Italy  
Tel. +39 049 9289810 – Fax +39 049 9289900  
info@maschio.com - maschio.com

**Production plant**

Via Mussons, 7  
I-33075 Morsano al Tagliamento (PN) - Italy  
Tel. +39 0434 695410 – Fax +39 0434 695425