

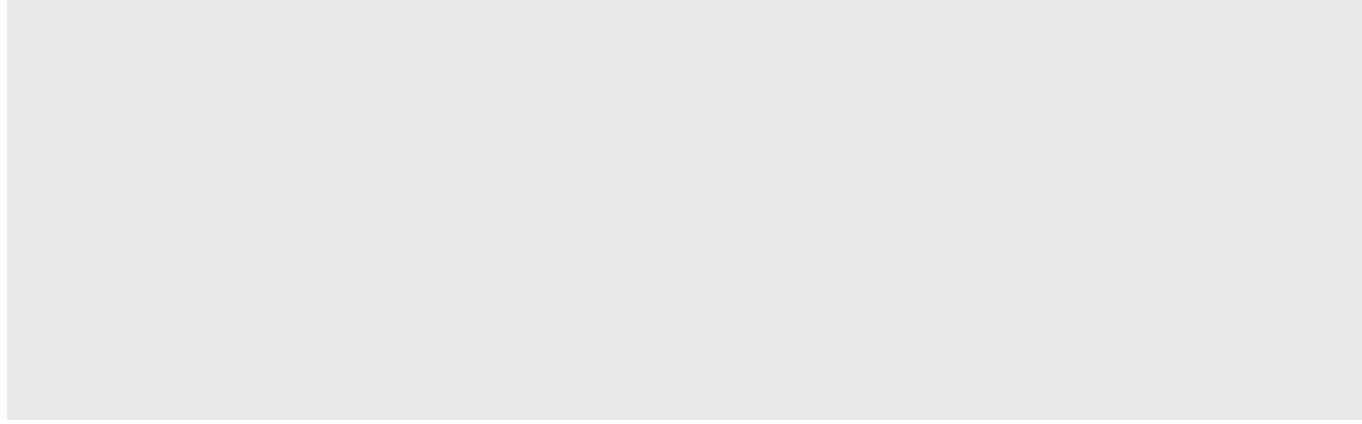
X4+



30 - 40 - 50 - 55 - 60 - 70

30m - 40m - 50m





SIMPLE, COMFORTABLE, VERSATILE: THE **X4** AND **X4m** ARE TWO NATURAL BORN LEADERS



McCormick never ceases to amaze. Its capacity to develop new technologies and to apply them to innovative, simple and useful solutions has resulted in the development of the new **X4** and **X4m** light utility series, a tractor range that stands out for comfort, lightweight and efficiency.

Available in both cab and ROPS versions, the McCormick **X4** and **X4m** series are designed to meet the needs of small- and mid-sized farms for tractors that are versatile and reliable while offering good value for money. The **X4** and **X4m** tractors allow farmers to perform most of their activities in-house, thereby reducing the use of agricultural contracting services. Thanks to their extraordinary versatility, the **X4** and **X4m** provide excellent stability during ploughing, tillage and harrowing, making them ideally suited for seedbed preparation activities. They also offer unmatched manoeuvrability for orchard work and haymaking and excellent all-round vis-

ibility for loader operations. Furthermore, their compact size and agility make them ideal for use inside stables and on steep hills and banks, as well as for road transport. All these qualities turn the McCormick **X4** and **X4m** tractors into productivity champions.

The strong point of the new **X4** range is the Deluxe Slim cab that's been completely redesigned according to automotive industry standards to ensure maximum operator comfort. Cab key features include a slim roof with a transparent hatch for maximum visibility, a flat-deck platform, an efficient climate control system and high-grade fit and finish. All controls are ergonomically-designed and logically arranged to allow simple and intuitive control of key tractor functions including the new 12/12 transmission with de-clutch control, Power Four Hi-Lo splitter, power shuttle and creeper.

HIGHLIGHTS

Cab

- › Deluxe Slim cab: transparent roof hatch for maximum visibility, ergonomic controls and high-grade fit and finish
- › Driver's seat with optional air suspension
- › Flat-deck platform for maximum working comfort
- › Low-profile cab roof for easy access to low-ceiling barns and sheds
- › In-cab battery cut-off switch

Transmission

- › Speed Four 12FWD+12REV, with creeper 16FWD+16REV

- › Power Four (Hi-Lo powershift) 24FWD+24REV, with creeper 32FWD+32REV

Axles

- › Rigid-mounted front axle with full locking differential and electrohydraulic four-wheel drive engagement
- › Rigid-mounted front axle with limited slip differential lock

Hydraulic system

- › Open-centre hydraulic system with 57 l/min flow rate
- › Rear hitch with up to 3900 kg lift capacity

- › Rear 2-speed PTO plus ground speed PTO
- › Up to 5 rear- and mid-mounted remote valves
- › Front hitch and PTO

Engine

- › Deutz TCD 3.6L engine delivering up to 107 hp
- › Deutz TCD 2.9L engine delivering up to 88 hp
- › Exhaust gas after-treatment with EGR/DOC system to meet Stage 3B/Tier 4 Interim/Tier 4 Final emissions regulations

The range includes six **X4** models ranging in power from 70 to 107 hp and three **X4m** models from 70 to 90 hp.

Key features of the McCormick **X4** include:

- A specially-built transmission;
- A four-wheel drive front axle with optional integral braking system;
- A choice of two wheelbases: 2230 mm for the three most powerful models and 2100 mm for the others;
- A mechanical or electronic rear hitch with 3900 kg lift

capacity for the three most powerful models and 3400 kg lift capacity for the others;

- A front hitch with 1750 kg lift capacity;
- A high-flow hydraulic system providing up to 57 l/min flow rate.

The McCormick name is traditionally associated with innovation. When you choose McCormick, you are choosing a brand that stands worldwide for efficiency, productivity and comfort.



EXHAUST SYSTEM

Emissions under control
page 29

HYRAULIC SYSTEM

Innovative, for maximum
configuration flexibility
page 18

ENGINE

A new heart
page 28

CAB

Perfect visibility
and first-class comfort
page 6

FRONT AXLE

For unmatched manoeuvrability
page 20

TRANSMISSION

Versatile and tailored to suit every need
page 14



DELUXE SLIM CAB, DESIGNED TO MAKE YOU FEEL AT HOME

Welcome to first class!

The Deluxe Slim cab makes you feel at home from the moment you step inside. Large, rear-hinged doors provide easy access to the driving position. The flat-deck platform makes the cab spacious and comfortable, reducing operator fatigue during long working days in the field. A highly-efficient climate control system maintains an ideal cab temperature whatever the outdoor weather conditions. Every detail in the Deluxe Slim cab is designed to keep you comfortable while working.

Superb all-round visibility

With plenty of space, large glazed areas and a transparent roof hatch, the Deluxe Slim cab provides excellent all-round visibility, giving you the feeling that you are outdoors while sitting behind the wheel. This makes front loader operations and manoeuvring in tight spaces, where unobstructed view at close range is paramount, easier and safer.

Deluxe Slim cab: when ergonomics improves efficiency

Featuring a high-quality, automotive-grade fit and finish, excellent soundproofing, ergonomically-arranged controls and a telescopic tilt-adjustable steering wheel, the interior of the Deluxe Slim cab has been designed to make daily work easier and more relaxed. This reduces operator fatigue and stress, thereby improving efficiency and productivity.





ERGONOMIC DESIGN FOR MAXIMUM OPERATOR COMFORT



A spacious environment, a flat-deck platform, an efficient sound insulation, an automotive-grade fit and finish, a steering wheel that tilts with the instrument panel, ergonomically-arranged controls: the Deluxe Slim cab is designed to offer the operator maximum comfort and ease of use, making long working days in the field less tiring and stressful. The climate control system, conveniently built into the low-profile cab roof, maintains a comfortable working environment whatever the outdoor weather conditions. The air-conditioner filters are fitted onto the rear posts to allow for quick and easy cleaning. Featuring a large glazed area and

high-visibility rear-view mirrors on both sides, the cab of the X4 tractor range provides unobstructed all-round view for easy manoeuvring in tight spots, while the transparent roof hatch provides extra visibility for front loader operations. The Deluxe Slim cab meets FOPS (Falling Objects Protecting Structure) safety standards for the use of front-end loaders.

The cab is also available with rear narrow fenders which, combined with a suitable tyre size, allow the X4 tractor to achieve a minimum width of only 1750 mm, making it ideal for working between tight orchard and vineyard rows.

ACCESS TO DRIVING POSITION

Wide, sturdy access steps and handrails fitted to the cab posts and to the doors allow operators to safely climb up and down the tractor. Fully glazed rear-hinged doors provide easy access to the driving position.

DRIVER SEAT AND HIDE-AWAY BUDDY SEAT

Large and comfortable, the driver seat is ergonomically designed and features either a mechanical or air suspension system that can be adjusted to suit the driver's weight. Passengers can also travel in comfort thanks to an upholstered buddy seat, which neatly folds away to allow easier access to the cab.



HIGHLIGHTS

- › Deluxe Slim cab: transparent roof hatch for maximum visibility, ergonomic controls and high-grade fit and finish
- › Driver's seat with optional air suspension
- › Flat-deck platform for maximum working comfort
- › Low-profile cab roof for easy access to low-ceiling barns and sheds
- › In-cab battery cut-off switch



CLIMATE CONTROL SYSTEM

A highly-efficient heating, ventilation and air conditioning system integrated into the cab roof maintains the desired cab temperature whatever the outdoor weather conditions. The climate control system relies on rear air vents to distribute the conditioned air evenly throughout the cab without exposing the operator to direct air flow. Natural ventilation is ensured by the openable front and rear windscreens and by the tilting roof hatch.



INSTRUMENT PANEL AND STEERING WHEEL

The X4 features a telescopic, tilt-adjustable steering wheel. The instrument panel, which tilts with the steering column, features intuitive, easy-to-use digital and analog instruments for easy monitoring of tractor functions.

Open platform with ROPS

Designed to offer a high level of comfort, the platform version of the X4 tractor is iso-mounted to minimize vibrations. The driving position features a flat floor and all controls are ergonomically arranged and user-friendly. For added driver protection, the platform is equipped with a two-post ROPS that can be folded down to allow the tractor to easily move under low-hanging canopies or between narrow orchard and vineyard rows.



Platform





THE **X4** ALWAYS GIVES YOU THE RIGHT GEAR FOR EVERY TASK

The transmission of the X4 is simple, reliable and efficient

McCormick's design philosophy is clear: to ensure best performance in every task and under any operating conditions. That's why all transmissions used on the **X4** range, from mechanical geaboxes to latest-generation power shuttles, are designed and constructed to offer operators the highest level of comfort and productivity.

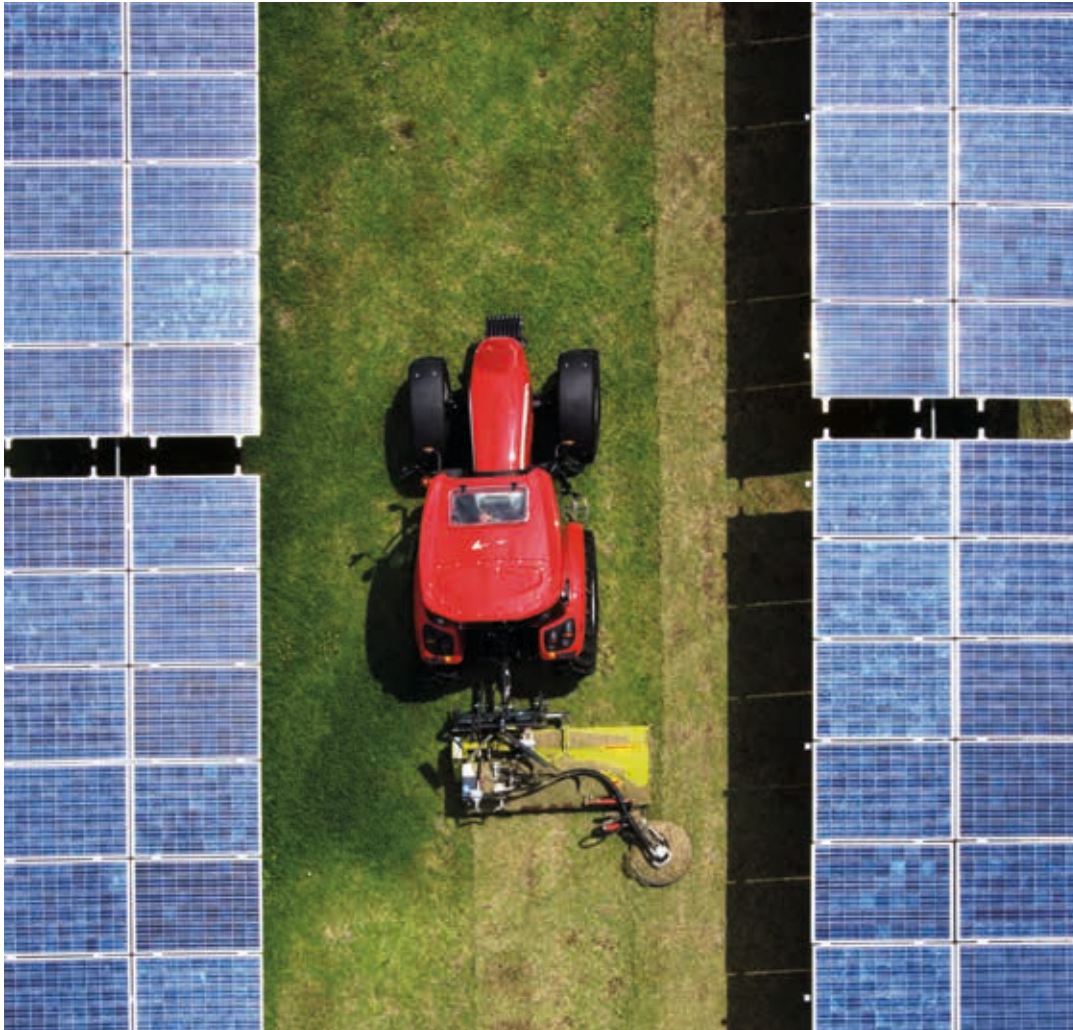
The X4 allows you to choose the transmission that's geared to your needs

McCormick knows how important is to have a transmission that's suited to your specific needs. The **X4** series allows you to choose from a variety of transmission configurations, all designed to best meet each farmer's specific needs. This results in optimum performance and maximum reliability.

McCormick transmissions to stay on the safe side

The **X4** tractor allows you to adjust the reverse speed in a fast, simple way, without assistance from a technician. You can also engage the hydraulic gear splitter (Hi-Lo) on the go for maximum safety on all terrains and in any weather conditions.

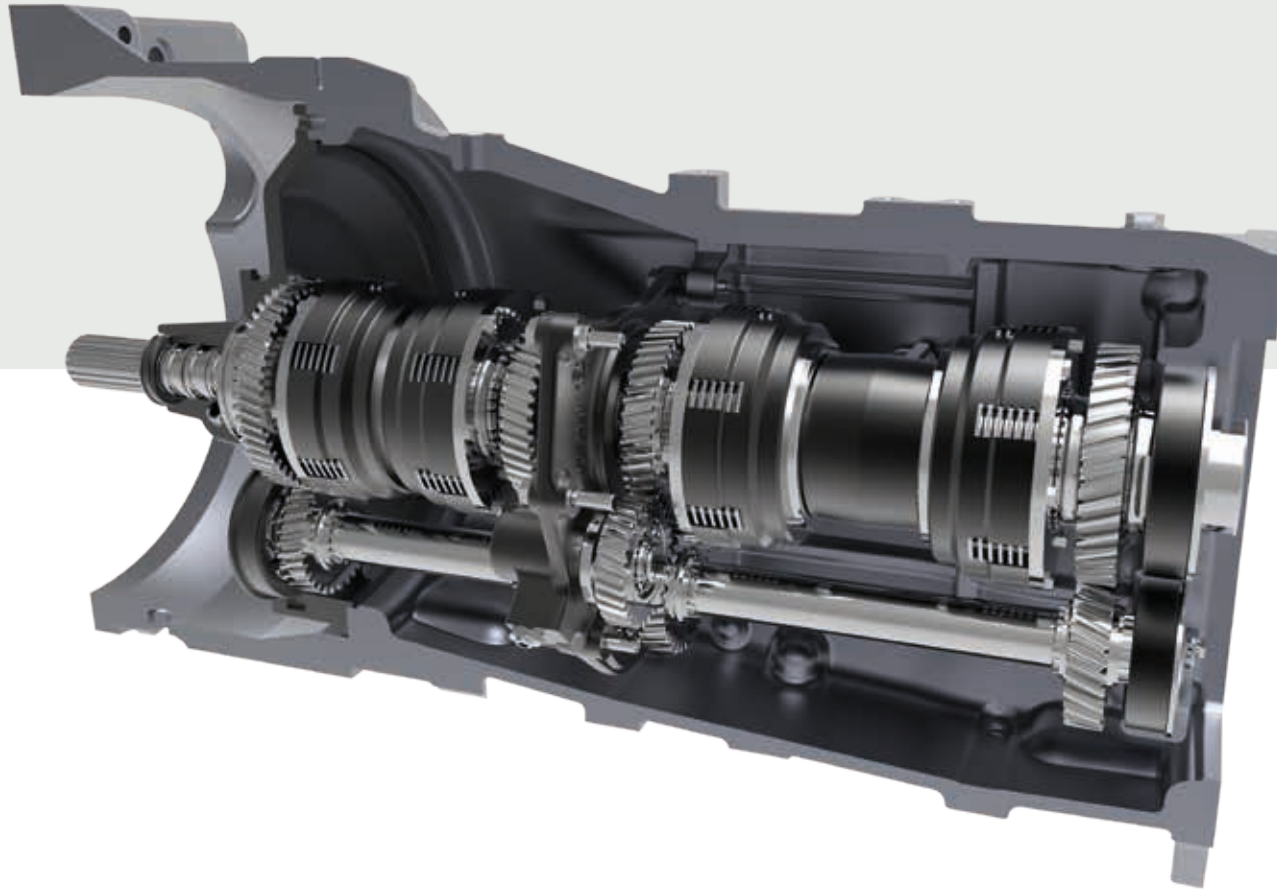
McCORMICK X4, TO SHIFT INTO HIGH GEAR



True to its tradition of technological innovation, McCormick has developed a highly-versatile tractor with a variety of transmission options to offer farmers a wider choice of gear configurations. Options available range from a Speed Four 12/12 synchro shuttle transmission to an electrohydraulic 32/32 Hi-Lo powershift with power shuttle and creeper.

Up to eight different configurations are offered:

- 1. Speed Four with 16FWD + 16REV** gears, synchro shuttle and creeper, 30 km/h top speed, 2WD.
- 2. Speed Four with 16FWD + 16REV** gears, power shuttle and creeper, 30 km/h top speed, 2WD.
- 3. Speed Four with 12FWD + 12REV** gears, synchro shuttle, 40 km/h top speed, 4WD.
- 4. Speed Four with 16FWD + 16REV** gears, synchro shuttle and creeper, 40 km/h top speed, 4WD.
- 5. Speed Four with 16FWD + 16REV** gears, power shuttle and creeper, 40 km/h top speed, 4WD.
- 6. Power Four with 24FWD + 24REV** gears, Hi-Lo splitter and synchro shuttle, 40 km/h top speed, 4WD.
- 7. Power Four with 24FWD + 24REV** gears, Hi-Lo splitter, power shuttle, 40 km/h top speed, 4WD.
- 8. Power Four with 32FWD + 32REV** gears, Hi-Lo splitter, power shuttle and creeper, 40 km/h top speed, 4WD.



HIGHLIGHTS

- › Speed Four 12FWD + 12REV with creeper 16FWD + 16REV
- › Power Four with Hi-Lo splitter 24FWD + 24REV, with creeper 32FWD+ 32REV

Speed Four transmission

The Speed Four transmission with four synchronized speeds and three ranges offers 12 forward and 12 reverse gears with a top speed of 30 km/h for the 2WD version and 40 km/h for the 4WD version. The creep speed unit provides a total of 16 forward and 16 reverse gears with speeds as low as 300 m/h. The Speed Four transmission can be specified with either a synchro or power shuttle with control lever adjacent to the steering wheel.

Power Four electrohydraulic transmission

Extremely reliable, the Power Four electrohydraulic Hi-Lo transmission doubles the gears of the basic transmission providing 24 forward and 24 reverse speeds. The creep speed option further increases the number of available speeds to 32 forward and 32 reverse. The Power Four transmission can be specified with either a synchro or power shuttle with control lever adjacent to the steering wheel. In addition, a De-clutch control function allows the operator to shift through all gears without using the clutch pedal.

PARK LOCK: SAFETY GUARANTEED

The power shuttle transmission can be optionally equipped with Park Lock, a mechanical locking device which locks the transmission for added safety when parking the tractor on steep inclines.





McCORMICK X4: BUILT-IN LIGHTNESS



HIGHLIGHTS

- › Rigid-mounted front axle with full locking differential and electro-hydraulic four-wheel drive engagement
- › Rigid-mounted front axle with limited-slip differential lock

Soil compaction? A thing of the past

With the **X4**, you stop worrying about soil compaction. Simply because there is none. This result has been obtained through optimal tractor weight distribution - 45% in the front and 55% to the rear – which makes the **X4** the best balanced tractor in its power class.

McCormick X4, simply precise

The **X4** is precise and easy to drive, which means the operator can better concentrate on the job in hand and at the end of the day he will feel less tired. The result is more productivity and less stress.

Spring-on system for unrivalled four-wheel drive performance

A quick-connect spring-on device ensures efficient four-wheel drive engagement in any situation. The spring-on system prevents slippage and allows operator to stay focused on the task at hand.

INTEGRATED BRAKE SYSTEM (IBS)

The IBS braking system with front wet disc brakes integrated into the axle provides efficient braking on all four wheels. The system reduces stopping distances by 50% ensuring maximum safety on the road. When the front and rear brakes are activated, they produce a braking force proportional to the foot pressure applied on the brake pedal, thereby ensuring safe, controlled stopping power in any situation. Integrated with the hydraulic or pneumatic trailer braking systems, the IBS system will ensure efficient braking of tractor-trailer combination for safe stopping on steep slopes.



McCormick knows how to drive productivity

The **X4** series offers best-in-class traction and manoeuvrability ensuring optimum grip and stability on all terrains for maximum ride comfort. The rugged front axle is equipped with full locking differential and electro-hydraulic four-wheel drive engagement. This ensures maximum efficiency and safety in any condition, including when working with a front hitch or a front loader. The rear axle is sturdy and reliable. Combining wide front axle oscillation and excellent ground clearance with a steering angle of 55 degrees, the **X4** tractor provides outstanding manoeuvrability in any situation. In addition, the hydrostatic drive delivers smooth steering control even at low engine rpm. All 2.9L models come standard with limited slip differential lock.



THE **HYDRAULIC SYSTEM** IS TAILORED TO YOUR BUSINESS NEEDS

The mechanical rear hitch simplifies every task

McCormick is constantly committed to the search for technical solutions that are useful to farmers. To this end, the rear hitch of the **X4** has been equipped as standard with a drop rate control and a transport lock for road travel.

The tractor can be optionally fitted with external hitch controls on the rear fenders making it easier to attach implements from the ground. Also available as an option is the Ergonomic Lift System (ELS) which allows the operator to raise and lower the implement by the simple click of a button. The ELS system makes for quicker headland turns, thereby reducing working time while improving fuel economy.

The remote valves can be configured to your requirements

The **X4** can be equipped with a varying number of rear- and mid-mounted remotes, all operated by a joystick control, and with flow diverter valves further enhancing the tractor efficiency.

If you are looking for a functional electronic rear hitch, McCormick has the right choice for you

The electronically-controlled rear hitch fitted on the three most powerful models of the range allow simple and precise implement operation. With the main controls conveniently integrated into an ergonomically-designed, intuitive console, the three-point hitch of the **X4** provides a maximum lift capacity of 3900 kg.



THE HYDRAULIC SYSTEM TURNS **VERSATILITY** INTO **PRODUCTIVITY**

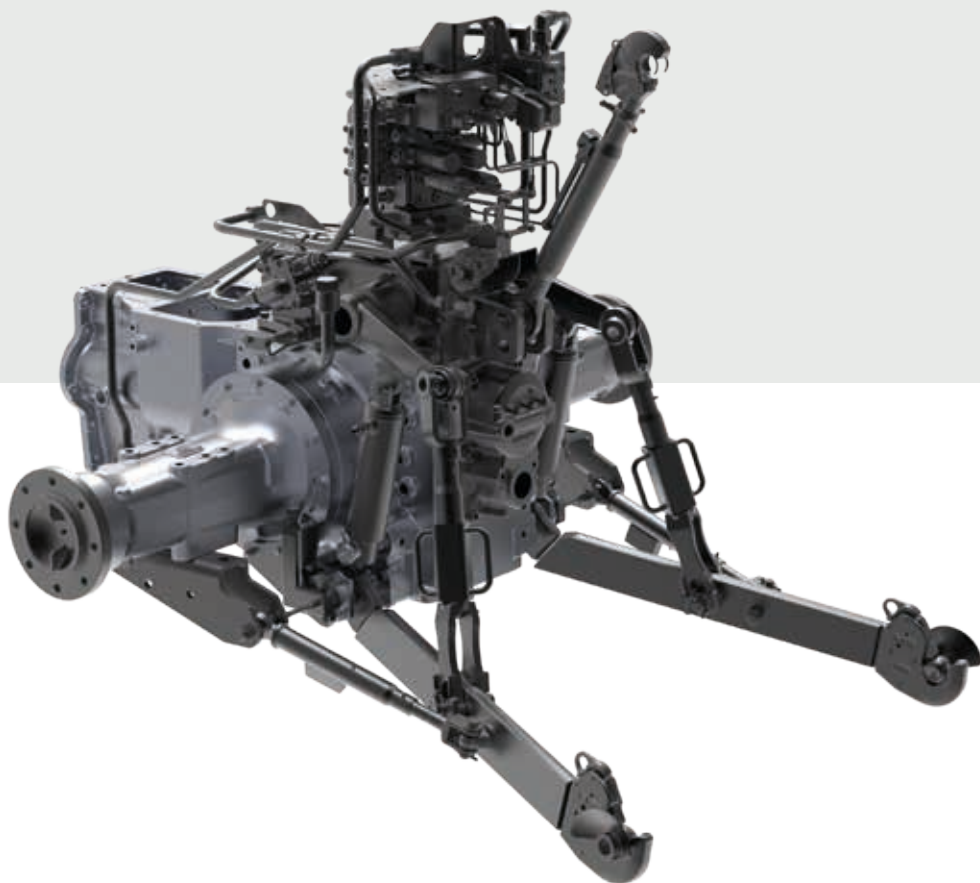


The X4 tractor range is completely customizable to suit each farmer's specific needs. Thanks to its versatility, it can be simultaneously fitted with either a mechanically- or electronically-operated rear hitch as well as with a front hitch and PTO or a front loader for enhanced productivity.

TWO-SPEED PTO

The rear PTO offers two speeds: 540/540E rpm or, optionally, 540/1000 rpm. On the models with synchro shuttle transmission, the PTO is operated by a power-assisted control device, while on the power shuttle models it is electro-hydraulically operated. In either case, a pushbutton enables smooth and modulated engagement of the PTO, ensuring a soft start-up of the implement. A ground speed PTO is also available on request.





HIGHLIGHTS

- › Open-centre hydraulic system with 57 l/min flow rate
- › Rear hitch with up to 3900 kg lift capacity
- › Rear 2-speed PTO plus ground speed PTO
- › Up to 5 rear- and mid-mounted remote valves
- › Front hitch and PTO

Unique performance with the standard mechanical hitch

The X4 model comes standard with a rugged mechanically-operated hydraulic rear hitch that guarantees precise implement operation. The hitch is equipped with drop rate control and transport lock for road travel.

The tractor can be optionally equipped with external hitch controls on the rear fenders making it easier to attach implements from the ground. Also available as an option is the Ergonomic Lift System (ELS) which allows the operator to raise and lower the hitch by the simple click of a button. This makes for quicker headland turns, resulting in reduced working time and increased fuel economy. On the three higher-power models, the three-point hitch Category II is equipped with twin assistor rams and lifts up to 3900 kg, while the other models have only one assistor ram and a maximum lift capacity of 3400 kg.



AUTO PTO FUNCTION

On the versions with electronically-controlled rear hitch, an Auto PTO feature will automatically disengage and reengage the PTO at three-point linkage heights set by the operator. This gives the operator precise control of the implement during headland turns.



ELECTRONIC REAR HITCH OPTIONAL

The three most powerful models – the X4.55, X4.60 and X4.70 – can be optionally equipped with an electronically-controlled rear hitch. This features ergonomically-designed intuitive controls that allow for comfortable operation and precise implement control. External hitch controls are located on the rear fenders making it easier to attach implements from the ground.

HIGH-PERFORMANCE HYDRAULIC SYSTEM



The hydraulic system of the **X4** range features two pumps that provide a standard flow rate of 32 + 44 l/min. One pump supplies oil to the steering system ensuring smooth and precise turning in any conditions for enhanced operator comfort and productivity. The other pump operates all hydraulic functions. A high-flow hydraulic system with dual pump providing a flow rate of 32 + 57 l/m is available as an option. The 2.9L models feature a dual pump with 28 + 49 l/min that covers most application needs. To further enhance the tractor hydraulic performance, the **X4** range comes standard with pressure-free return line to tank. This solution prevents oil overheating doing away with the need for continuous flow rate adjustment, and eliminates backpressure, thereby optimising implement operation. This system also allows the use of latest-generation attachments.

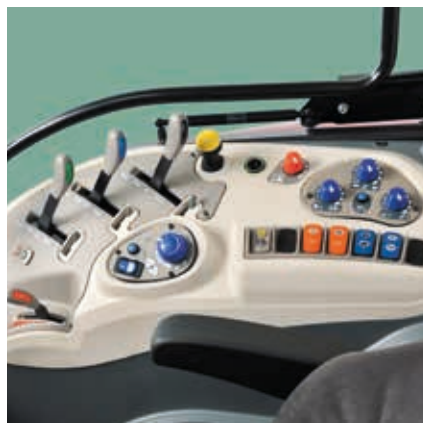
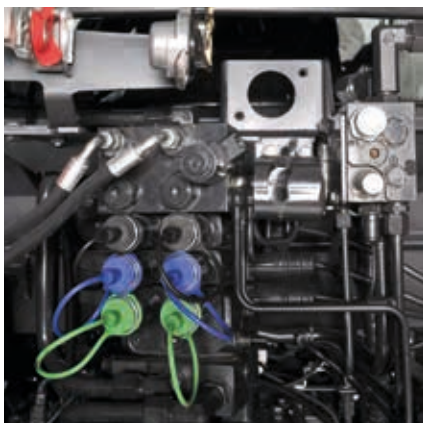
Custom-built remote valves

The X4 can be equipped with up to five remote valves, three rear-mounted and two mid-mounted. The mid-mount remotes, operated by a joystick, allow the use of a front hitch or an M Series front loader.

Four types of remote valves are available that can be used in combination to suit different application needs:

- **Standard:** double-acting;
- **Kick-out:** with automatic detent release;
- **Float:** for implements that follow the contour of the ground;
- **Hydraulic motor:** for the use of hydraulic motors.

Each option allows the tractor to work with a variety of implements for maximum efficiency and productivity. Ergonomically-arranged high-quality quick-release couplings allow quick connection/disconnection of hydraulic lines for fast operation.



McCORMICK M SERIES FRONT LOADERS: BUILT FOR **POWER** AND **VERSATILITY**



Designed to be integrated into the **X4** Series tractor range, the McCormick M60 front loader is built from HLE (High Limit Elasticity) steel, a material capable of withstanding high loads thanks to its mechanical properties. The main strong points of the M front loaders are:

- Hydraulic lines hidden inside the loader arms to ensure unobstructed view during operation;
- The piping of the hydraulic system is rigid to reduce oil overheating during intensive use and to simplify maintenance operations;
- A position indicator allows operator to quickly determine implement position;
- Used in combination with a Euro Hitch tool carrier, the loader can be fitted with a wide range of implements;

Front hitch and PTO

A front hitch and PTO are available as an option to add greater versatility to the **X4** tractor for applications using rear- and front-mounted implement combinations. Offering a maximum lift capacity of 1750 kg, the front hitch is Category II and features raise/lower and float controls. The 1000-rpm PTO is engaged via a pushbutton. External PTO and hitch controls are also located on the rear fenders making it easier to attach implements from the ground.



- M60 maximum lift capacity: 1240 kg;
- The loader features a suspension with two nitrogen-charged accumulators placed between the cylinders that ensures a smooth ride at all times;
- Innovative supports make fitting and removal of the front loader easier;
- The M serie front loaders can be used even when the tractor is equipped with a front-mounted hitch.

Thanks to a conveniently placed joystick and a high-visibility transparent roof hatch, the operator can comfortably sit in the driving position while working with the loader fully raised. Designed to be the perfect match for the **X4** tractor, the M series front loader delivers maximum productivity in any application.





McCORMICK X4m: SIMPLE, EFFICIENT, AFFORDABLE

HIGHLIGHTS

- › Engine meeting Tier 4 Final emissions regulations
- › Exhaust gas recirculation system (EGR) combined with diesel oxidation catalyst (DOC)
- › 4-cylinder turbocharged engine with intercooler and electronic common rail injection system
- › Simple maintenance of engine and radiator
- › Speed Four modular transmission with synchro shuttle providing 12 or 16 speeds



Designed to offer great value for money, the **X4m** is the entry-level version of the **X4** range. Extremely versatile, the **X4m** is ideal to perform a wide variety of tasks such as seedbed preparation, haymaking, orchard activities and transport applications. Rugged and reliable, the McCormick **X4m** is the best value tractor in its class.

With its cutting-edge design and its roomy iso-mounted driving position with flat transmission tunnel, the **X4m** tractor series stands out for style and comfort.

The ergonomically-designed, intuitive digital instrument panel is the same as on the **X4** range. The **X4m** features a folding two-post ROPS to allow operation in low-clearance areas.

The three models in the range – the X4.30m, X4.40m and X4.50m – are available in 4WD version and are powered by modern Tier 4 Final Deutz engines that feature low noise levels for enhanced operator comfort. Designed and developed by Argo Tractors, the Speed Four synchro shuttle transmission features four synchronized speeds and three ranges providing 12 forward and 12 reverse gears. A creep speed option offers 16 forward and 16 reverse gears with speeds as low as 300 m/h.

- › Front axle with electrohydraulic four-wheel drive engagement
- › Mechanical rear hitch with up to 3400 kg lift capacity
- › Ergonomic Lift System for maximum comfort and ease of operation
- › Wide choice of hydraulic remote valves, up to 5 for cabbed models



CAB

Additional key features of the **X4m** include:

- Electrohydraulic engagement of the fourwheel drive with mechanical differential lock on the rear axle and a limited slip differential on the front axle.
- The four-wheel drive engages automatically on braking ensuring efficient braking on all four wheels.
- The open-centre hydraulic system delivers a flow rate of 45 l/min to operate the hitch and two remote valves.
- The rear hitch with one assistor ram offers a maximum lift capacity of 3400 kg and can be optionally equipped with Ergonomic Lift System for more comfortable implement operation.
- The **X4m** tractor comes with a mechanically-operated PTO offering a choice of one or two speeds. A ground speed PTO is available as an option.

In addition to the ROPS version, the **X4m** is also available with a four-post cab. The Deluxe cab features ergonomically-designed controls, in-cab battery cut-off switch, climate control, openable front and rear windscreens, transparent roof hatch and four working lights on the roof. The Deluxe cab meets FOPS (Falling Objects Protecting Structure) safety standards for the use of front-end loaders.

ROOMY AND COMFORTABLE DRIVING POSITION

The iso-mounted platform with large, wrap-around fenders offers a spacious driving position with a fully adjustable sprung seat. The hydraulic steering, the adjustable steering wheel and the gear levers ergonomically arranged on the driver's side maximise the ride comfort. The two-post ROPS folds down to fit in low-clearance. Optionally, the tractor can be equipped with a four-post Deluxe cab.

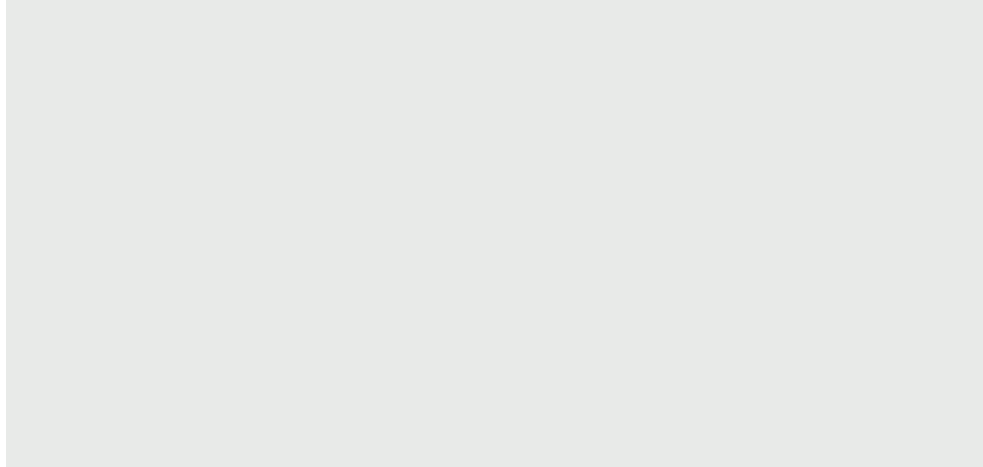
MORE COMFORT WITH THE POWER-ASSISTED PTO SHIFTING

A power-assisted control enables smooth and modulated engagement of the PTO, ensuring a soft start-up of the implement.

INSTRUMENT PANEL AND STEERING WHEEL

Stylish and well-lighted, the new instrument panel of the **X4m** features the same digital instruments as the **X4** model. The steering wheel is adjustable in tilt angle via a conveniently positioned foot pedal.





MORE SAVING, MORE TIME, MORE SAFETY: THE X4 AND X4m ARE MORE

With the X4 and X4m you save more fuel

Doing away with the gas exhaust regeneration system and using the Engine Memo Switch, which stores and recalls the engine speed best suited for the task at hand, the **X4** and **X4m** keep fuel consumption to a minimum with respect to the power requirement.

With the X4 and X4m you have more free time

Under the hood of the **X4** and **X4m**, all main components are easily accessible and easy to check without removing any parts. Maintenance has never been so simple! And that's not all: service intervals are now longer and routine checks require only a few minutes, so you have more free time for yourself.

With the X4 and X4m you have more safety for yourself and the environment

The EGR/DOC after-treatment system of the **X4** and **X4m** allows you to save fuel and reduce exhaust emissions.

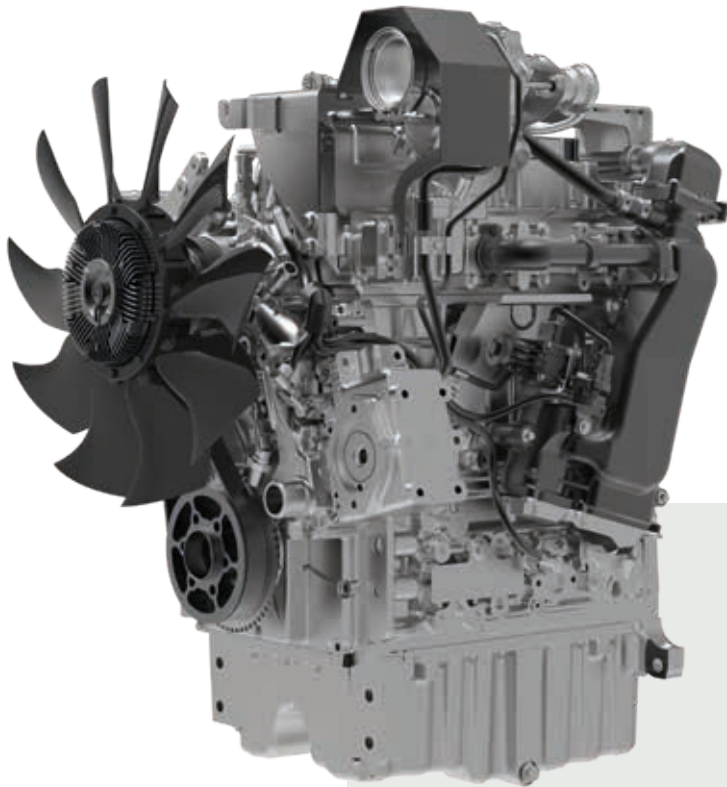




HIGHLIGHTS

- › Deutz TCD 3.6L engine delivering up to 107 hp
- › Deutz TCD 2.9L engine delivering up to 88 hp
- › Exhaust gas after-treatment with EGR/DOC system to meet Stage 3B/Tier 4 Interim/Tier 4 Final emissions regulations

NEW DEUTZ TCD ENGINES: HIGH PERFORMANCE, LOWER CONSUMPTION



Both the **X4** and **X4m** tractor series are powered by new Deutz TCD L4 3.6L and 2.9L four-cylinder turbo engines with multivalve technology and common rail injection system. These new engines provide more power, higher torque backup and better fuel economy. The nine models in the range offer power ratings from 70 to 107 hp at 2000 rpm. All models feature high-capacity fuel tanks – 90L and 120L for the **X4** and 80L for the **X4m** – ensuring extended operation without refuelling. The absence of an exhaust gas regeneration system and the presence of the Engine Memo Switch system, which allows operator to store and recall the ideal engine rpm for the implement used, contribute to significantly improving fuel economy.



EGR/DOC system to reduce exhaust emissions

An innovative exhaust gas recirculation system (EGR), combined with a diesel oxidation catalyst (DOC), eliminates the exhaust gas regeneration process, allowing the new Deutz TCD engines to meet Stage 3B/Tier 4 Interim/Tier 4 Final emission regulations without using a diesel particulate filter (DPF). This results in increased uptime and improved fuel economy.

McCORMICK X4	DISPLACEMENT [L]	MAX. POWER [HP/KW]
X4.70	3.6	107 / 78.5
X4.60	3.6	99 / 73
X4.55	3.6	90 / 66
X4.50	2.9	88.4 / 65
X4.40	2.9	75.2 / 55.3
X4.30	2.9	70.1 / 51.5

McCORMICK X4m	DISPLACEMENT [L]	MAX. POWER [HP/KW]
X4.50m	2.9	88.4 / 65
X4.40m	2.9	75.2 / 55.3
X4.30m	2.9	70.1 / 51.5



QUICK MAINTENANCE TO GET YOU BACK UP AND RUNNING

Designed to deliver maximum efficiency and reliability, the McCormick **X4** and **X4m** offer a variety of solutions to simplify and expedite maintenance.

- > The tilt-up hood opens wide to provide easy access to the engine compartment for maintenance.
- > All major service points such as fuel filter, oil filter and oil filler cap are located in the cold area of the engine allowing maintenance operations to be performed without waiting for engine to cool down.
- > Engine air filter is positioned in such a way as to facilitate cleaning and replacement.
- > The cooling radiators, mounted in the engine front, and the laterally-removable dust cover allow simple and fast cleaning.
- > The fuel tank is conveniently placed to allow quick filling.
- > In-cab air filter is easily accessible for maintenance.
- > Oil level in the transmission can be conveniently checked through the oil filler cap with dipstick placed on the rear of the tractor.





McCORMICK SPARE PARTS AND SERVICE, TO GIVE YOU THE BEST ALWAYS

McCormick is worldwide recognized as a reliable supplier of high-quality spare parts and after-sales services. Developed by the same engineers who design and manufacture the McCormick tractors, genuine McCormick parts are designed and manufactured to the highest quality standards to ensure tractors reliable performance and maximum safety.

The pluses of McCormick's after-sales service include following:

- Spare parts are delivered promptly and efficiently to McCormick's dealers on the same day of order.
- Each part comes with a 12-month warranty and bears a non-falsifiable hologram which

certifies its build quality and genuineness.

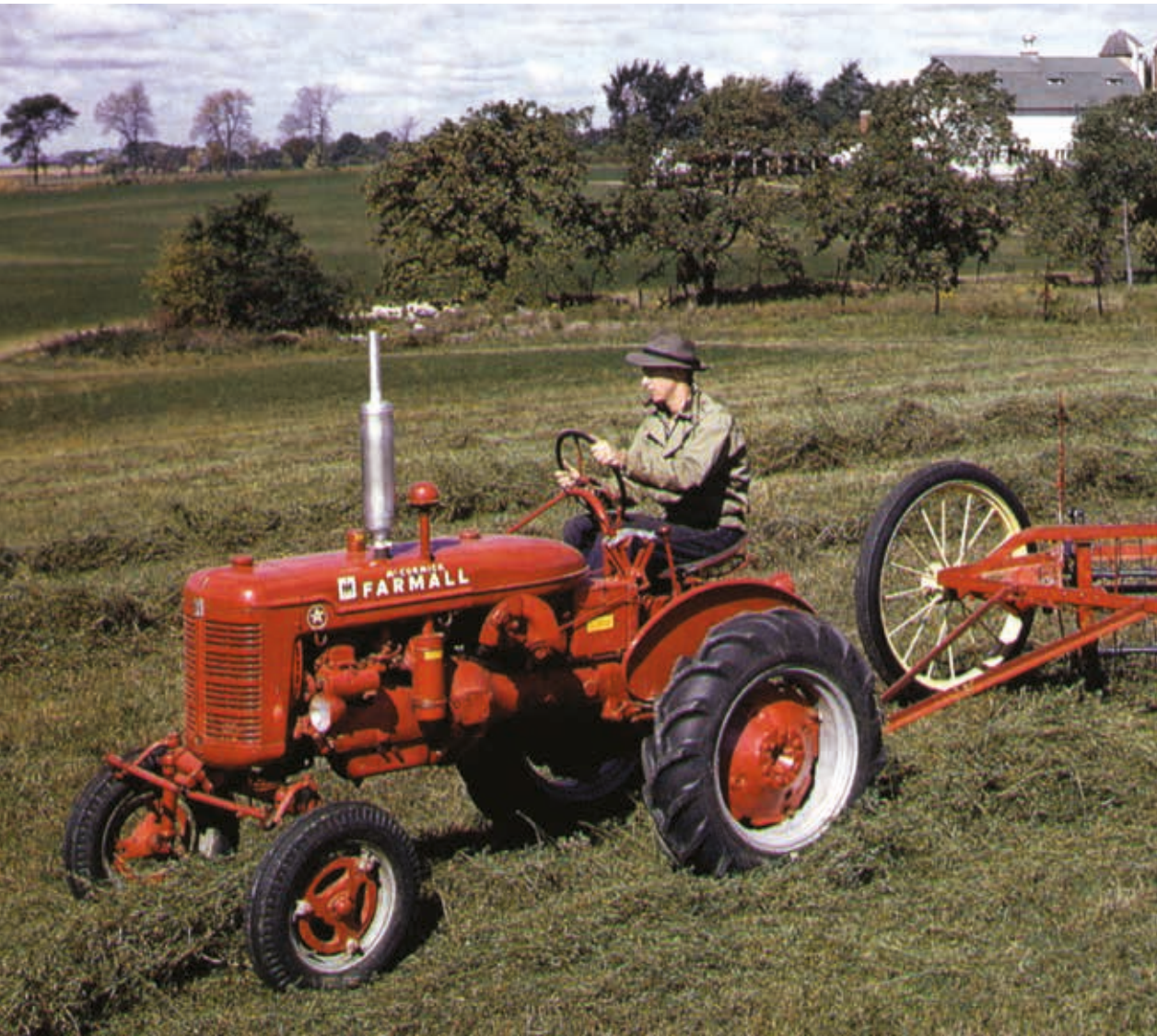
- Original McCormick parts are reliable and convenient, as they enhance the working quality and efficiency of the X6 tractors.

After-sales service is handled by our dealers through a team of highly-skilled, solution-oriented technicians who avail themselves of the latest diagnostic techniques. Choosing McCormick means choosing excellence.





McCORMICK, INNOVATORS BY TRADITION



Cyrus Hall McCormick was born in Virginia, United States, in 1809. As a pioneer in engineering, McCormick had a stunning ability to mechanize farm work, as he demonstrated when, in 1831, he invented the first mechanical reaper. The McCormick company was established in 1847. It produced wheat harvesters. Starting from 1866, the company adopted the colour red which from then on would distinguish McCormick around the world. In 1871, McCormick manufactured the greatest number of machines than any other company: 250 reapers per day. The first tractor, the Mogul 8-16, was launched in 1910. In those years, the company opened up factories in Canada, Great Britain, Germany, France and Sweden. In the following years, the company was bought and sold various times. In 2001, McCormick was acquired by the Argo Group, which re-launched the brand under the name McCormick Tractors International Limited. Today, McCormick is a world leader in the tractor industry and its name stands for uncompromised technology and innovative design. Thanks to heavy investments in research and development, the new generation of McCormick tractors is now positioned at the top of the market for performance and innovation. Farmers look for performance, reliability and versatility and this is exactly what McCormick offers its customers to maximize their productivity.



ARGO TRACTORS: QUALITY WORK, QUALITY LIFE

Picking up and revitalizing the wealth of experience and technology of companies that have made the history of mechanized farming. This is the commitment of Argo Tractors SpA, the industrial group that with the Landini, McCormick and Valpadana brands has created a global tractor manufacturing hub. Argo Tractors' strategy is based on close integration between engineering, manufacturing and marketing activities. The R&D and engineering division is located at the main headquarters in Fabbrico (Reggio Emilia). The production is based on the synergy between three plants, each of which dedicated to a specific product line, and two spare parts distribution centres based in Italy and the United States.

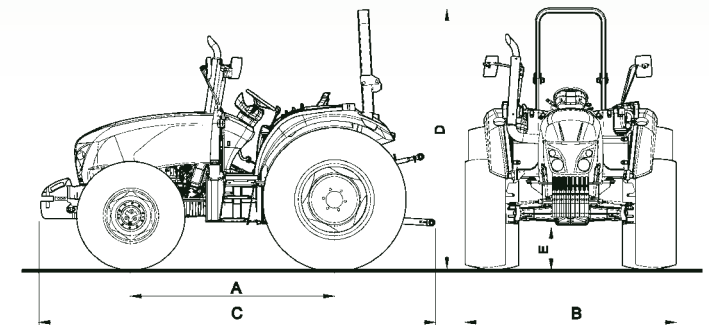
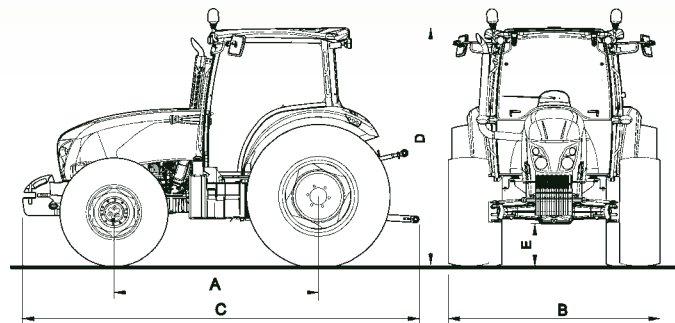
Today, with the Landini, McCormick and Valpadana brands, Argo Tractors offers one of the most comprehensive product ranges on the market, covering 3-, 4- and 6-cylinder tractor families in the power range from 25 to over 310 hp for a variety of open-field, vineyard and orchard applications, including crawler, utility and equal-wheeled tractors. But more importantly, at the heart of Argo Tractors' project is man, with the company's commitment to respect the environment and make the daily work of farmers safer and more comfortable.



		X4.30	X4.40	X4.50	X4.55	X4.60	X4.70
ENGINE							
TYPE		DEUTZ C4DT50 TIER4 FINAL	DEUTZ C4DT55D TIER4 FINAL	DEUTZ C4DT58A TIER4i	DEUTZ C4DT62 TIER 4i	DEUTZ C4DT69 TIER 4i	DEUTZ C4DT74A TIER 4i
MAX POWER ISO	HP/KW	69,5/51	75,2/55	88,4 / 65	90 / 66	99 / 73	107 / 78,5
RATED POWER ISO	HP/KW	68 / 50	75,2/55	78,9/58	85 / 62,5	94,5 / 69,5	101 / 74,4
RATED ENGINE SPEED	RPM	2200	2200	2200	2200	2200	2200
MAX TORQUE	NM	272	375	378	358	397	420
MAX TORQUE SPEED	RPM	1600	1400	1600	1600	1600	1600
BORE / STROKE	MM	92X110	92X110	92X110	98/120	98/120	98/120
DISPLACEMENT / CYLINDERS	CM ³	2900 / 4 TA	2900 / 4 TA	2900 / 4 TA	3600 / 4 TA	3600 / 4 TA	3600 / 4 TA
FUEL TANK CAPACITY	L	90	90	90	120	120	120
CLUTCH							
SINGLE-PLATE DRY CLUTCH	IN(MM)	11 / (280)	11 / (280)	12 / (280)	12 / (304.8)	12 / (304.8)	12 / (304.8)
MECHANICAL ENGAGEMENT		●	●	●	●	●	●
MULTI-DISC WET CLUTCH		○	○	○	○	○	○
DE-CLUTH CONTROL: BUTTON-OPERATED CLUTCH		○	○	○	○	○	○
TRANSMISSION							
SPEED FOUR + SYNCHRO SHUTTLE + CREEPER: 16FWD + 16REV 30 KM/H (2WD)		●	●	●	●	●	●
SPEED FOUR + SYNCHRO SHUTTLE: 12FWD + 12REV 40 KM/H		●	●	●	●	●	●
SPEED FOUR + SYNCHRO SHUTTLE + CREEPER: 16FWD + 16REV 40 KM/H		○	○	○	○	○	○
SPEED FOUR + SYNCHRO SHUTTLE + POWER FOUR : 24FWD + 24REV 40 KM/H		-	-	-	○	○	○
SPEED FOUR + SYNCHRO SHUTTLE + POWER FOUR + CREEPER : 32FWD + 32REV 40 KM/H		-	-	-	○	○	○
SPEED FOUR + POWER SHUTTLE: 12FWD + 12REV 40 KM/H		○	○	○	○	○	○
SPEED FOUR + POWER SHUTTLE + POWER FOUR: 24FWD + 24REV 40 KM/H		○	○	○	○	○	○
SPEED FOUR + POWER SHUTTLE + POWER FOUR + CREEPER: 32FWD + 32REV 40 KM/H		○	○	○	○	○	○
EXO FORTY (40 KM/H AT REDUCED ENGINE RPM)		-	-	-	○	○	○
PARK LOCK		○	○	○	○	○	○
SHUTTLE MODULATION CONTROL: ADJUSTMENT OF POWER SHUTTLE RESPONSE		○	○	○	○	○	○
ELECTROHYDRAULIC REAR DIFFERENTIAL LOCK		○	○	○	●	●	●
MECHANICAL REAR DIFFERENTIAL LOCK		●	●	●	-	-	-
POWER TAKE-OFF							
POWER-ASSISTED MECHANICAL ENGAGEMENT		●	●	●	●	●	●
ELECTROHYDRAULIC ENGAGEMENT (ONLY WITH POWER SHUTTLE)		○	○	○	○	○	○
2 SPEEDS: 540/1000 RPM		○	○	○	○	○	○
2 SPEEDS: 540/540E RPM		●	●	●	●	●	●
GROUND SPEED PTO		○	○	○	○	○	○
FRONT 4WD AXLE							
ELECTROHYDRAULIC 4WD ENGAGEMENT		●	●	●	●	●	●
MAX. STEERING ANGLE		55°	55°	55°	55°	55°	55°
LIMITED SLIP DIFFERENTIAL LOCK		●	●	●	●	●	●
TWIN-LOCK ELECTROHYDRAULIC DIFFERENTIAL LOCK		○	○	○	○	○	○

		X4.30	X4.40	X4.50	X4.55	X4.60	X4.70
BRAKING SYSTEM							
HYDROSTATICALLY-OPERATED ANNULAR PISTON BRAKES		●	●	●	●	●	●
AUTOMATIC 4WD ENGAGEMENT ON BRAKING		●	●	●	●	●	●
WET MULTI-DISK FRONT BRAKES		○	○	○	○	○	○
HYDRAULIC HITCH							
MECHANICALLY-CONTROLLED REAR HITCH		●	●	●	●	●	●
ELECTRONICALLY-CONTROLLED REAR HITCH		-	-	-	○	○	○
STANDARD LIFT CAPACITY	KG	2700	2700	2700	2700	2700	2700
LIFT CAPACITY WITH TWIN ASSISTOR RAMS	KG	3400	3400	3400	3900	3900	3900
FRONT HITCH AND PTO (MAX LIFT CAPACITY)	KG	-	-	-	1750 ○	1750 ○	1750 ○
HYDRAULIC SYSTEM							
PUMP FLOW RATE (HITCH+STEERING)	L/MIN	49+28	49+28	49+28	44+32	44+32	44+32
HIGH-FLOW PUMP RATE (HITCH+STEERING)	L/MIN	-	-	-	57+32 ○	57+32 ○	57+32 ○
HYDRAULIC ADJUSTMENT RIGHT LIFTING ROD / TOP LINK		○	○	○	○	○	○
REMOTE VALVES STD / OPT		2 / 3	2 / 3	2 / 3	2 / 3	2 / 3	2 / 3
REMOTE VALVE WITH 2-WAY SELECTOR		○	○	○	○	○	○
MID-MOUNTED REMOTES WITH JOYSTICK CONTROL		2	2	2	2	2	2
CAB AND DRIVING POSITION							
DELUXE SLIM CAB		●	●	●	●	●	●
AIR-CONDITIONING		○	○	○	○	○	○
DIMENSIONS AND WEIGHTS							
A - WHEELBASE	MM	2100	2100	2100	2230	2230	2230
B - MIN WIDTH	MM	1750	1750	1750	1750	1750	1750
C - TOTAL LENGTH WITH BALLAST WEIGHTS	MM	4182	4182	4182	4321	4321	4321
D - HEIGHT OVER CAB	MM	2447-2497	2447-2497	2447-2497	2507-2582	2507-2582	2507-2582
E - MAX GROUND CLEARANCE	MM	350-400	350-400	350-400	375-450	375-450	375-450
TOTAL WEIGHT IN RUNNING ORDER (WITHOUT BALLASTS) PLAT/CAB	KG	2800 / 3000	2800 / 3000	2800 / 3000	3300 / 3500	3300 / 3500	3300 / 3500
GROSS VEHICLE WEIGHT	KG	5300	5300	5300	6000	6000	6000

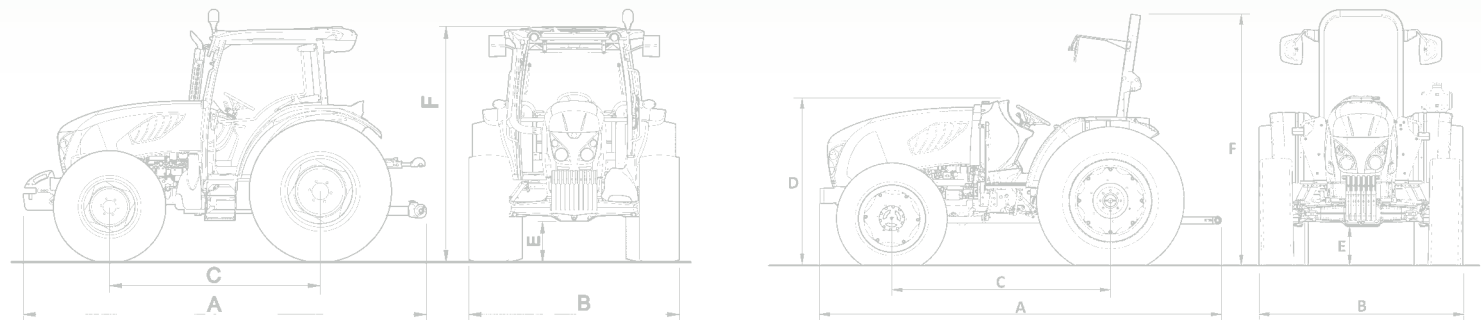
Key: ● standard ○ option — not available



		X4.30m	X4.40m	X4.50m
ENGINE				
TYPE		DEUTZ C4DT50 TIER4 FINAL	DEUTZ C4DT55D TIER4 FINAL	DEUTZ C4DT58A TIER4i
MAX POWER ISO	HP/KW	70.1 / 51.5	75.2 / 55.3	88.4 / 65
RATED POWER ISO	HP/KW	68 / 50	75.2 / 55	78.9 / 58
RATED ENGINE SPEED	RPM	2200	2200	2200
MAX TORQUE	NM	272	375	378
MAX TORQUE SPEED	RPM	1600	1400	1600
BORE / STROKE	MM	92X110	92X110	98/110
DISPLACEMENT / CYLINDERS	CM ³	2900 / 4 TA	2900 / 4 TA	2900 / 4 TA
COMPRESSION RATIO		17.2:1	17.2:1	17.2:1
WATER COOLING		●	●	●
AIR FILTER		A SECCO	A SECCO	A SECCO
FUEL TANK CAPACITY	L	80	80	80
CLUTCH				
SINGLE-PLATE DRY CLUTCH	IN(MM)	11 / (280)	11 / (280)	11 / (280)
MECHANICAL ENGAGEMENT		●	●	●
TRANSMISSION				
SPEED FOUR + SYNCHRO SHUTTLE + CREEPER: 16FWD + 16REV 30 KM/H (2WD)		●	●	●
SPEED FOUR + SYNCHRO SHUTTLE: 12FWD + 12REV 40 KM/H		●	●	●
SPEED FOUR + SYNCHRO SHUTTLE + CREEPER: 16FWD + 16REV 40 KM/H		○	○	○
MECHANICAL REAR DIFFERENTIAL LOCK		●	●	●
POWER TAKE-OFF				
MECHANICAL ENGAGEMENT		●	●	●
1 SPEED: 540 RPM		○	○	○
2 SPEEDS: 540/1000 RPM		○	○	○
2 SPEEDS: 540/540E RPM		●	●	●
GROUND SPEED PTO		●	●	●
FRONT 4WD AXLE				
ELECTROHYDRAULIC 4WD ENGAGEMENT		●	●	●
MAX. STEERING ANGLE		55°	55°	55°
LIMITED SLIP DIFFERENTIAL LOCK		○	○	○
BRAKING SYSTEM				
HYDROSTATICALLY-OPERATED BRAKES		●	●	●
AUTOMATIC 4WD ENGAGEMENT ON BRAKING		●	●	●
HYDRAULIC HITCH				
DRAFT AND POSITION CONTROL		●	●	●
MECHANICALLY-CONTROLLED REAR HITCH		●	●	●
STANDARD LIFT CAPACITY	KG	2700	2700	2700
LIFT CAPACITY WITH ONE ASSISTOR RAM	KG	3400	3400	3400
PUMP FLOW RATE (HITCH+STEERING)	L/MIN	45 + 20	45 + 20	45 + 20
THREE-POINT HITCH		CAT. 2	CAT. 2	CAT. 2
REAR REMOTE VALVES STD / OPT		1 / 2 / 3 (ONLY CAB)	1 / 2 / 3 (ONLY CAB)	1 / 2 / 3 (ONLY CAB)

		X4.30m	X4.40m	X4.50m
CAB AND DRIVING POSITION				
ISO-MOUNTED PLATFORM		●	●	●
SPRUNG SEAT		●	●	●
TILT-ADJUSTABLE STEERING WHEEL		●	●	●
DIGITAL INSTRUMENT PANEL		●	●	●
REAR TWO-POST FOLDING ROPS		●	●	●
DELUXE CAB/ RADIO ADAPTOR		○	○	○
HEATING/VENTILATION		●	●	●
AIR-CONDITIONING		○	○	○
DIMENSIONS AND WEIGHTS				
A - TOTAL LENGTH WITHOUT BALLAST WEIGHTS 2WD/4WD	MM	4316/4275	4316/4275	4316/4275
B - MIN WIDTH	MM	1675	1675	1675
C - WHEELBASE 2WD/4WD	MM	2120/2165	2120/2165	2120/2165
D - HEIGHT TO STEERING WHEEL	MM	1620	1620	1620
E - GROUND CLEARANCE 2WD/4WD	MM	374/208	374/208	374/208
F - HEIGHT OVER ROPS	MM	2517	2517	2517
F - HEIGHT OVER CAB	MM	2500	2500	2500
TOTAL WEIGHT WITH PLATFORM WITHOUT BALLASTS 2WD/4WD + CAB 150 KG	KG	2800/3050	2800/3050	2800/3050
GROSS VEHICLE WEIGHT	KG	5300	5300	5300

Key: ● standard ○ option — not available





Power Technology.

via G. Matteotti, 7 | 42042 Fabbrico [RE] Italien | t. +39.0522.656.111 | f. +39.0522.656.476
webmaster@argotracors.com | www.argotracors.com



graphic design: **gruppo saldatori** | bzzbz@grupposaldatori.com
All data and illustrations provided in this brochure are for information purposes



6636990A1
01/2020