

X8



660 - 670 - 680 VT-DRIVE





McCORMICK X8, INNOVATION AT FULL THROTTLE

Continuous technological innovation and constant pursuit of quality have been the cornerstone of Argo Tractor's activity since its foundation more than 30 years ago. This ongoing commitment has led to the design and development of the innovative McCormick X8 tractor range which sets the benchmark worldwide for power, reliability, user-friendly technology and comfort.

The X8 tractor is designed to suit the most demanding needs of large farms and full-time agricultural contractors.

The new generation X8 has received a more contemporary, aggressive look that will not go unnoticed. Completely redesigned, the automotive-style Premiere Cab offers the operator a spacious working environment with high-grade fit and finish, ergonomically-arranged controls and easy-to-use instruments, such as the 12-inch touch screen monitor. Everything inside the cab is designed to maximize the operator comfort.

The X8 range features an innovative VT-Drive four-stage continuous variable transmission. A high-flow hydraulic system provides a total flow of 212 l/min and supplies 140 l/min to up to eleven electrohydraulic remote valves.

Located within a heavy-duty cast-iron chassis and carried on iso-mounts, the new Betapower Fuel Efficiency engine moves the tractor's centre of gravity forward, making the vehicle well balanced and stable.

The chassis not only helps isolate the cab from engine-generated vibration, but enables the tractor to transfer all the power to the ground. With a maximum power of 310 hp, the X8.680 is the most powerful model in the range.

Choosing McCormick means you can count on a reliable partner that delivers industry-leading technology along with outstanding performance and uncompromising reliability.

HIGHLIGHTS

Cab

- › Four-post design with semi-active suspension system.
- › 12-inch DSM touch screen monitor.
- › Automatic climate control.

Engine

- › Electronically-controlled variable-geometry turbocharger (eVGT).
- › Emissions control technology with Hi-SCR/DOC system.
- › Engine located within a cast-iron chassis for enhanced traction and performance.
- › Coolers open out to allow easier and faster cleaning.
- › 550-liter fuel tank, 70-liter AdBlue® tank.

Transmission

- › VT-Drive four-stage continuous variable transmission
- › Four programmable speed ranges.
- › Transmission controls integrated into the VT Easy Pilot proportional controller.
- › Lower fuel consumption, reduced operating costs.
- › 40km/h or 50 km/h Eco speed at reduced engine rpm.

Axles

- › Electronically-controlled centre-pivot front suspended axle.
- › Front axle with wet disc brakes.
- › Rear axle with annular-piston wet multi-disc brakes.
- › Automatic 4WD and differential lock engagement.

- › Full locking differential.
- › Tyre size up to 900/60 R42 (Ø 2.15 m) available as an option.

Hydraulic system

- › Closed-centre hydraulic system with variable-displacement pump up to 212 l/min.
- › Electronically-controlled rear hitch with up to 12000 kg lift capacity.
- › Three-speed PTO.



EXHAUST SYSTEM

emissions – consumptions
page 15

SATELLITE-BASED GUIDANCE

PSM - EazySteer
page 38

CAB

comfort – instruments
safety – electronics
page 7

HYDRAULIC SYSTEM

PTOs – hitches remote valves
page 30

ISOBUS

Implement management
page 39

ENGINE

powers – consumptions
page 12



REAR HITCH

electronically-controlled
page 35

TRACTION

front axle – brakes
page 27

TRANSMISSION

VT-Drive
page 17

THE X8 GIVES YOU GREAT ALL-ROUND VISION

A wide field of view helps you work better and feel less tired.

The new four-post Premiere Cab with its one-piece panoramic windscreen offers the driver clear all-round visibility while giving the X8 an aggressive, contemporary look.

Larger tanks reduce refuelling time.

Access steps have been integrated into the fuel and AdBlue® tanks, allowing fuel and AdBlue® capacities to be increased to 550 litres and 70 litres respectively. This results in extended operating range and reduced refuelling frequency.

Controls designed to simplify your work.

Integrated into the armrest, all controls are servo-assisted, easy to use and ergonomically designed according to anthropometric principles. They allow the operator to control the X8 in a simple and intuitive manner, thereby reducing fatigue and stress.





X8, POWER AND STYLE ALL IN ONE

HIGHLIGHTS

- › Designed to surprise with aggressive, contemporary looks
- › Wrap-around fenders with fixed extensions and two latest-generation LED tail lights.
- › Easy-to-climb access ladder with four well-spaced steps integrated into the fuel tank.
- › Hi-SCR system integrated into the right cab post to allow unobstructed view.

In designing the X8 series, our primary goal was to design technical solutions that could become a worldwide benchmark for this tractor segment. But that wasn't enough: in the new X8 series, technology has been dressed in a new design with sleek, dynamic lines that give this tractor an aggressive, yet classy look. This, combined with ultimate comfort and a high-quality, automotive-grade fit and finish, makes driving an X8 an exciting experience.









SEATED IN THE CAB, YOU WORK FULLY RELAXED

You feel fresh after a full day's work.

The engine features a rugged chassis with shock absorbing rubber mounts which help effectively reduce shocks and vibrations. The semi-active cab suspension can be specified with three different shock absorbing levels. The cab features a flat-deck platform and an air-suspended driver seat with ventilation system. The automatic climate control provides uniform air distribution to ceiling, instrument panel and platform for enhanced operator comfort.

Inside the cab, you control everything with simple controls.

The four-post cab with one-piece panoramic windscreen offers unequalled all-round visibility. All controls are ergonomically designed according to anthropometric standards and are servo-assisted to ensure smooth and precise manoeuvring in any situation. A tablet-like touch screen allows for simple and intuitive operation. Eighteen work lights provide excellent illumination for night work and a rearview camera gives the driver unobstructed view behind the tractor.

You can make clear hands-free phone calls.

Perfectly soundproofed with automotive-grade sound-deadening materials, the tractor cab features a stereo radio system with Bluetooth, MP3 player and USB flash drive. High-quality loudspeakers provide clear sound output and an integrated microphone allows the operator to make hands-free phone calls.

PREMIERE CAB: YOUR NEW OFFICE IN FIRST CLASS



The Premiere Cab is a new-concept four-post design with rear hinged doors that provides unobstructed visibility in all directions, allowing the driver full view of blind spots without changing position. The cab is pressurized to keep a clean, dust-free environment, while a highly-efficient sound insulation system maintains an in-cab noise level of only 70 dB for maximum comfort of operation.

Wide, well-spaced access steps allow the operator to easily get in and out of the cab, while the buddy seat neatly folds away making for easier and safer access. The cab interior features an automotive-style fit and finish with easy-clean soft-touch materials.

The instrument panel tilts with the steering wheel to suit the driver's need. The Alcantara upholstered swivel seat features dynamic air suspension system, fully automatic height adjustment, anti-vibration system and backrest heating and ventilation for best-in-class driving comfort. The main tractor controls are integrated into the multi-function right-hand for maximum comfort of operation. The ergonomically-designed VT-Easy Pilot controller provides easy and intuitive control of key tractor functions. Integrated into the armrest is a 12-inch touch screen monitor with simple tablet-like graphics that allows the operator to directly manage and control the tractor operation.

The Premiere Cab's standard equipment includes a refrigerated in-cab storage compartment and bottle holder, 12V sockets for charging mobile devices, an

HIGHLIGHTS

- › Four-post cab design with flat-deck platform.
- › One-piece panoramic windscreen for unequalled all-round visibility.
- › Semi-active cab suspension.
- › Instrument panel tilting with steering column.
- › Ventilated air suspension seat with swivel optional.
- › Multi-function armrest with ergonomically-designed controller and integrated controls.
- › 12" Data Screen Manager touch screen monitor.
- › Hide-away buddy seat for easier access to the cab.
- › Automatic climate control.
- › Opening transparent roof hatch.
- › Automotive-style interior with soft-touch materials.
- › Radio with MP3 player and Bluetooth standard.
- › Up to 18 latest-generation LED work lights on hood, cab and fenders.

internal mirror, an opening transparent roof hatch providing extra visibility for loader operations and 10 LED work lights fitted on the roof that provide day-light illumination for night work. Integrated into the cab roof, a highly-efficient automatic climate control maintains the desired cab temperature whatever the outdoor weather conditions.



DIGITAL INSTRUMENT PANEL AND ADJUSTABLE STEERING WHEEL

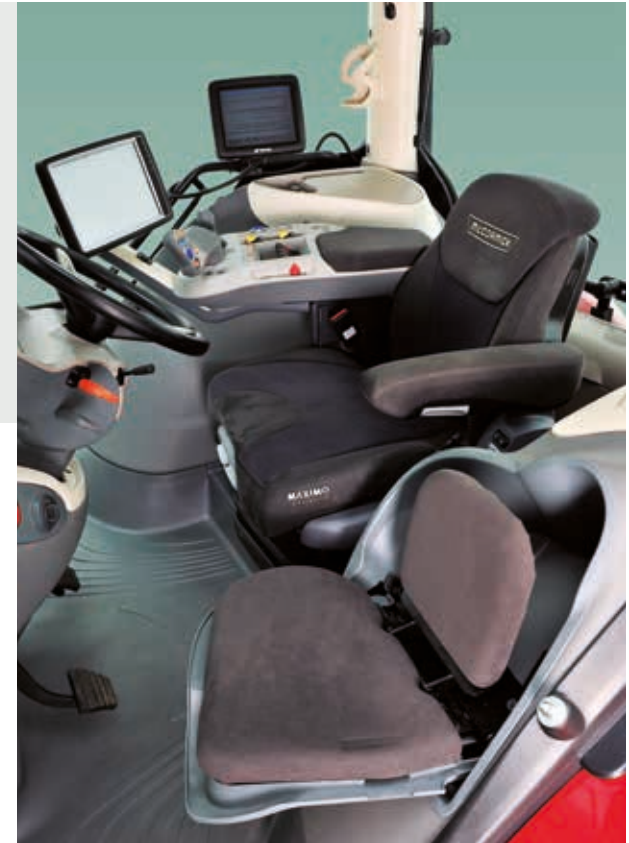
Simple and intuitive, the digital instrument panel keeps the operator constantly informed on the tractor's performance.

The telescopic tilt-adjustable steering wheel is designed to tilt with the instrument panel.

DRIVER SEAT AND HIDE-AWAY BUDDY SEAT

The driving position features a large and stylish Alcantara upholstered swivel seat equipped with air suspension system, fully automatic height adjustment and backrest heating and ventilation for maximum driving comfort.

Passengers can also travel in comfort thanks to an innovative, upholstered buddy seat, which neatly folds away to allow easier and safer access to the cab.



TOUCH SCREEN MONITOR AND MULTI-FUNCTION ARMREST

Thanks to its user-friendly tablet-like graphic interface, the large 12-inch DSM touch screen monitor enables simple and intuitive control of implements.

Integrated into the driver's seat, the multi-function armrest is ergonomically designed to allow a quick and intuitive use of main tractor controls.





WORK LIGHTS

The X8 features as many as 18 LED work lights at the front and rear that provide proper illumination during night work.



AUTOMATIC CLIMATE CONTROL AND OPENING ROOF HATCH

A highly-efficient automatic climate control integrated into the cab roof distributes air throughout the cab via strategically positioned vents maintaining the desired in-cab temperature whatever the outdoor weather conditions. The automatic climate controls are conveniently built into a stylish roof console. An opening transparent roof hatch provides extra visibility for loader operations.



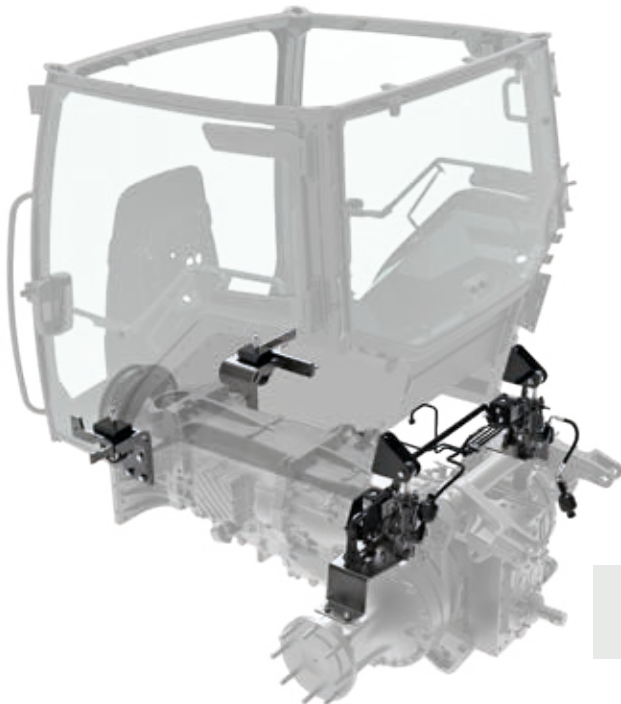
BLUETOOTH RADIO

The Bluetooth radio enables listening to music also through an MP3 player, an AUX cable or a USB flash drive, while an integrated microphone allows the operator to make hands-free phone calls.



IN-CAB STORAGE COMPARTMENT AND BOTTLE HOLDER

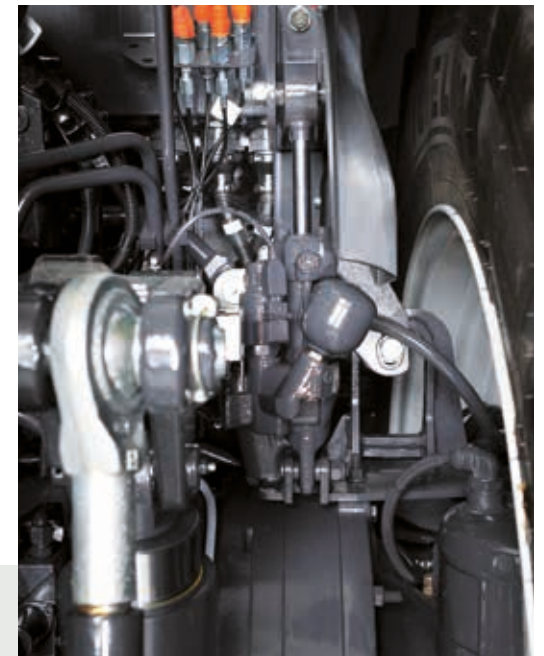
A refrigerated in-cab storage compartment is located on the driver's left, while a practical bottle holder is conveniently placed on the right-hand side.



SEMI-ACTIVE CAB SUSPENSION

Cab Suspension, the innovative semi-active cab suspension system isolates the tractor body from wheel vibrations induced by uneven ground conditions, ensuring maximum ride comfort and safety on all terrains.

› Semi-active hydraulic suspension.



OVER 300 THOROUGHbred HORSEPOWER, TO PULL YOUR BUSINESS FORWARD



The X8 gives you all the power you need: you can pull up to 40 tons without effort!

The X8 can reach 50 km/h at 1600 rpm, thereby reducing fuel consumption, and can pull up to 40 tons in complete safety thanks to the engine brake.

The X8 makes your work easier and cuts consumption by 10%.

The new Betapower Fuel Efficiency engines that power the X8 tractors do not have a particulate filter; this means less components, less maintenance and consequently less costs. Without a DPF, which is fuel consuming and loses efficiency over time, requiring periodic replacement, the engine is more powerful, more efficient and more reliable. In addition, the engine being located within a chassis moves the tractor's centre of gravity forward thus increasing front wheel grip and traction power. Better traction results in reduced fuel consumption with up to 10% fuel saving compared to same-class competitive engines.

It only takes 5 minutes to clean the coolers.

McCormick has the goal to simplify all those routine operations that are essential to preserve equipment efficiency and reduce downtime. The coolers located in front of the radiator open fully from a single latch allowing quick, easy and accurate cleaning. This preserves the efficiency of the cooling system ensuring smooth engine performance.

HIGHLIGHTS

- › Electronic engine management and variable-geometry turbocharger (eVGT) with common rail intercooler.
- › High torque backup.
- › Engine compliant with Stage4/Tier 4 Final emissions regulations.
- › Exhaust gas after-treatment with Hi-SCR catalytic converter and DOC catalyst.
- › Large, easy-fill fuel tank.
- › Coolers open out to allow easier and faster cleaning.

Betapower engines: efficiency that improves your productivity

The X8 tractors are powered by the new Betapower Fuel Efficiency 6.7-litre, 6-cylinder engines with eVGT turbocharger and common rail injection system. These engines meet Stage4/Tier4 Final emission regulations using a Hi-SCR catalytic converter in combination with a DOC catalyst for exhaust gas after-treatment.

The X8 range comprises three models:

- X8.660 VT-Drive with 264/194 hp/kW
- X8.670 VT-Drive with 286/210 hp/kW
- X8.680 VT-Drive with 310/228 hp/kW

The new Betapower Fuel Efficiency the powers the X8 series is a cutting-edge engine designed to offer simplicity and functionality without compromising on reliability and durability.





HI-SCR + DOC system to cut down on exhaust emissions

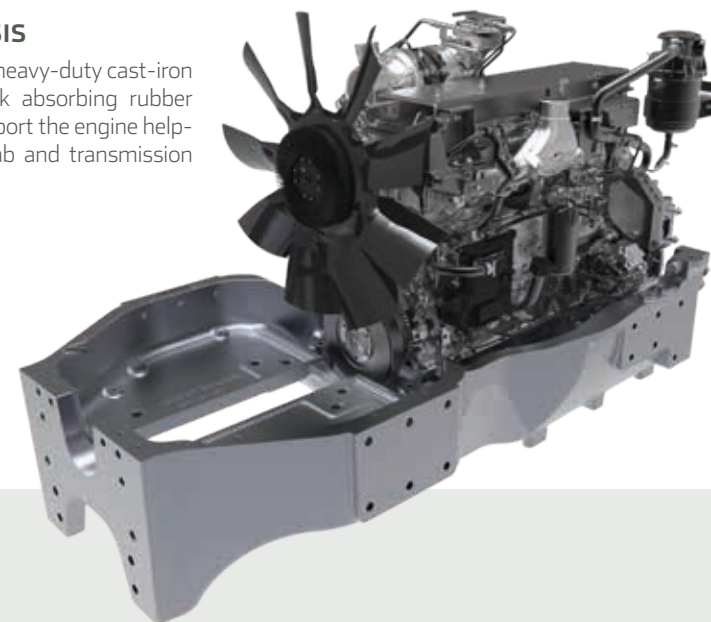
The Hi-SCR technology, or Selective Catalytic Reduction, utilizes Adblue® fluid to reduce engine exhaust emissions. The fluid is injected from a separate tank into the exhaust system and then conveyed to the Hi-SCR catalytic converter where it reacts with exhaust gases, thereby reducing NOx emissions.

The Hi-SCR system, used in conjunction with a DOC (Diesel Oxidation Catalyst) – a passive oxidation catalyst that reduces pollutants – ensures compliance with the strictest emissions regulations.

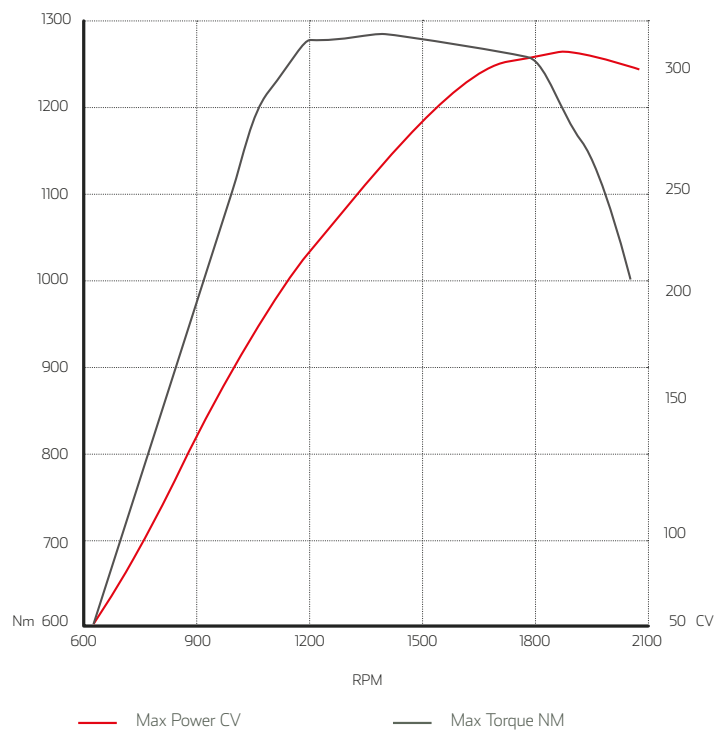
The optimised electronic fuel injection and the enhanced combustion efficiency, combined with the Hi-SCR/DOC system, allow the Betapower engines to deliver exceptional power and high torque backup for quick response to load changes while reducing fuel consumption.

ENGINE CHASSIS

The X8 features a heavy-duty cast-iron chassis with shock absorbing rubber mounts which support the engine helping isolate both cab and transmission from vibrations.



McCORMICK X8	MAX ENGINE POWER HP / KW	MAX TORQUE NM
X8.660 VT-DRIVE	264 / 194	1132
X8.670 VT-DRIVE	286 / 210	1194
X8.680 VT-DRIVE	310 / 228	1282



RADIATOR MAINTENANCE

The tilt-up hood opens wide to provide easy access to the engine compartment for routine service and maintenance.

The coolers located in front of the radiator open fully from a single latch to provide easy cleaning in dusty conditions.



ADBLUE® TANK

The AdBlue® tank holds 70 litres of fluid for the Hi-SCR system which represents the best solution to the Stage4 / Tier4 Final emission standards.







VT-DRIVE TRANSMISSION, BUILT-IN USER-FRIENDLY TECHNOLOGY



VT-Drive: so easy to use that you can't do without it any more.

The VT-Drive continuous variable transmission selects automatically the most suitable gear ratio allowing seamless speed progression without the need to shift gears. Using the VT-Drive transmission is quite easy: just release the parking brake, select the direction with the power shuttle and step on the gas pedal. This simplicity of operation, combined with intuitive controls and a user-friendly touch screen interface, makes the X8 a pleasure to drive.

You work with the most advanced CVT transmission in the market.

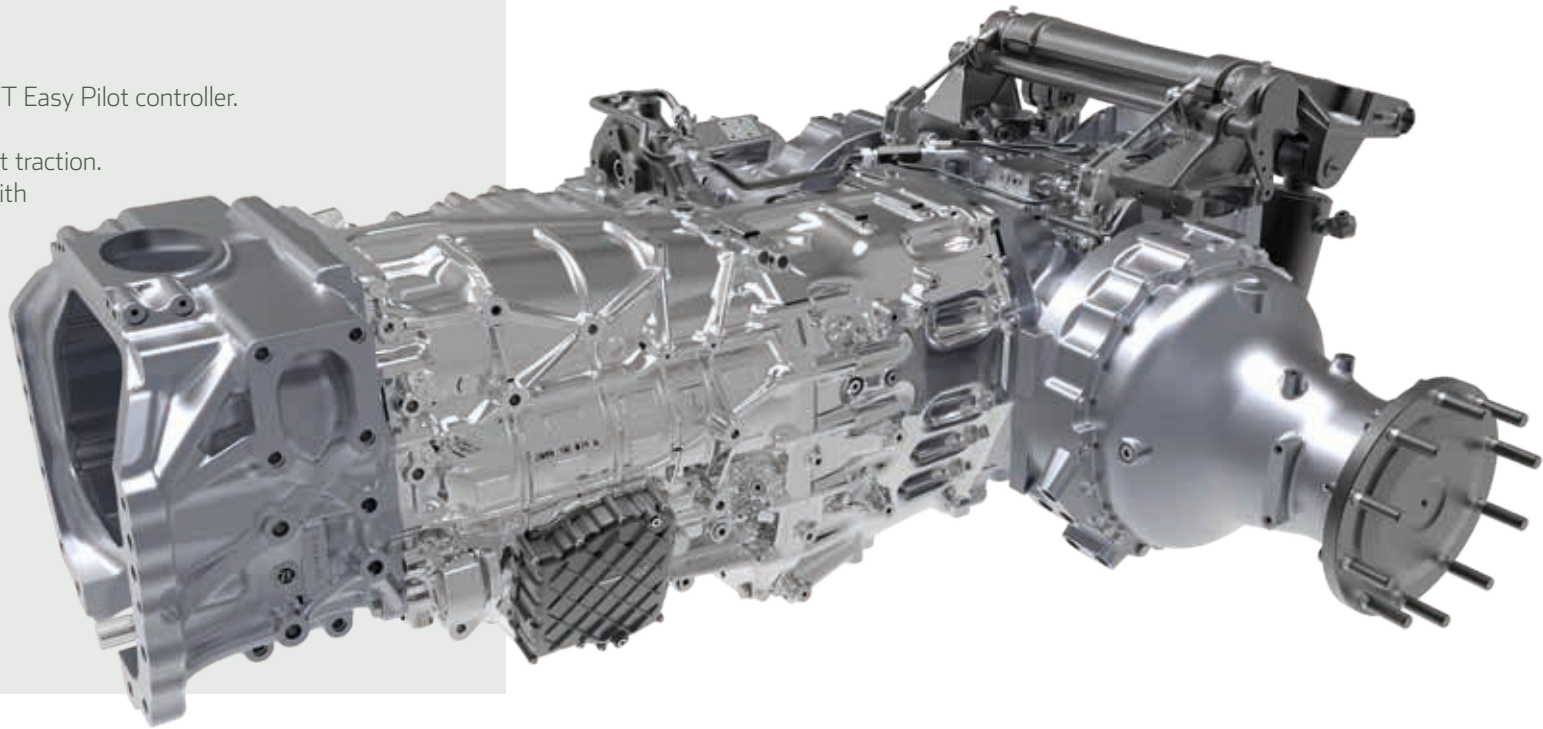
The VT-Drive continuous variable transmission has always stood for efficiency and reliability. Now an innovative four-stage technology makes the VT-Drive transmission the choice for the future, but its benefits are immediately apparent: better fuel economy, smoother driving, greater efficiency.

With the VT-Drive transmission, the X8 responds promptly to your commands.

Combining a powerful engine with a latest-generation VT-Drive four-stage continuous variable transmission, the X8 delivers fast acceleration and unmatched responsiveness.

HIGHLIGHTS

- › All transmission controls grouped on the VT Easy Pilot controller.
- › Speed shifting without use of clutch pedal.
- › Soft acceleration, optimum speed, constant traction.
- › Greater concentration on the job in hand with the user-friendly VT-Drive transmission.
- › Lower fuel consumption, reduced operating costs.
- › Remote Shuttle button on multi-function controller for automatic forward/reverse shifting.

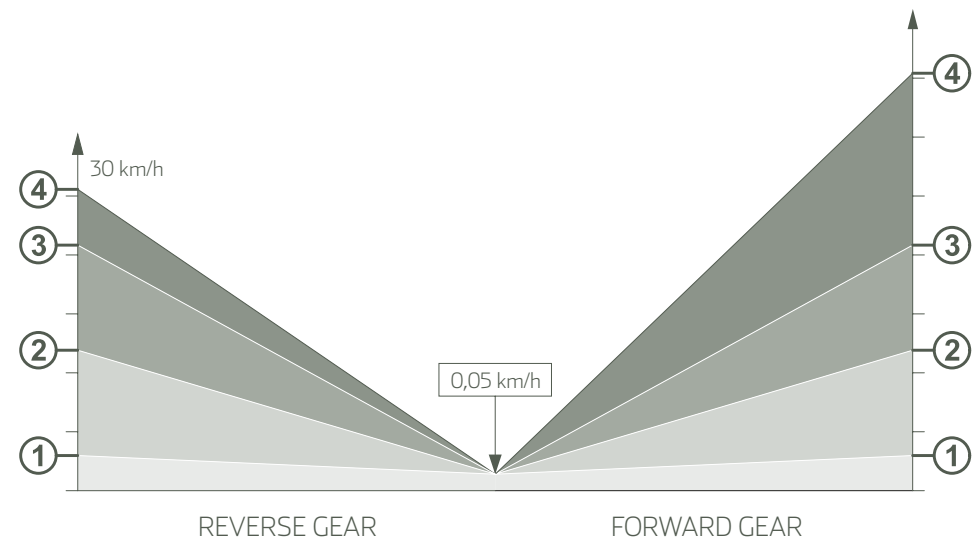


VT-Drive 4-stage continuous variable transmission

The McCormick VT-Drive transmission with its four-stage technology sets a new benchmark in continuous variable transmissions. Using a four-stage instead of usual two-stage CVT transmission offers real benefits to farmers and agricultural contractors who look for multi-purpose tractors capable of ensuring maximum productivity whatever the task or the field conditions.

The VT-DRIVE transmission features four operating modes:

- 1. Auto Mode** – The electronic unit adjusts the engine revs and transmission ratio according to the potentiometer settings to achieve the required speed.
- 2. Manual Mode** – The operator sets the engine speed using the hand throttle. The electronic unit adjusts the transmission ratio to achieve the required speed.
- 3. PTO Mode** – The operator sets the engine speed using the hand throttle. The electronic unit adjusts the transmission ratio to achieve the required speed, giving priority to PTO speed.
- 4. Cruise Mode** – The operator selects the tractor travel speed which remains constant.



VT Easy Pilot multi-function controller

The ergonomically-designed VT Easy Pilot controller integrated into the multi-function armrest provides easy and intuitive control of the VT-Drive transmission, allowing the operator to drive the tractor and operate the implements with maximum ease and comfort.

The VT Easy Pilot controller allows the operator to: select the speed most suited to the implement attached, either increase or reduce the travel speed without using the clutch and gas pedals, shift from forward to reverse without using the steering-column shuttle lever, make headland turns and front loader operations faster using the Remote Shuttle button, operate the rear hitch fast raise lower, use the speed cruise control and operate one remote valve. All functions are clearly displayed on the instrument panel and on the touch screen monitor.



AUTO MODE

The electronic unit adjusts the engine revs and transmission ratio according to the potentiometer settings to achieve the required speed.

ELECTROHYDRAULIC POWER SHUTTLE

The reverse power shuttle allows the operator to automatically shift from forward to reverse without use of the clutch pedal, by simply operating the shuttle control lever adjacent to the steering wheel.

The shuttle response is electronically modulated and adjustable by the operator if required for different tasks.





THE X8 PUTS ALL THE POWER TO THE GROUND

Maximum power transfer to the ground.

With engine located within a rugged chassis and a heavy-duty front axle with independent wheels, the X8 is the tractor that transfers more power to the ground in its class.

Optimum manoeuvrability with a turning radius of only 5 metres.

The X8 tractor is not only very powerful but also compact and easy to handle. With a wheelbase of just 3 metres, the X8 has a turning circle of only 11 metres.

Less soil compaction with the X8 tractor.

With the engine being located within a rugged chassis, the X8 has a weight distribution of 45% front and 55% rear, making it the best balanced tractor in its power class. This optimum weight distribution helps reducing the amount of soil compaction.



Traction, manoeuvrability and comfort on all terrains

Rough terrain and steep inclines are no match for the X8 tractor range. Outstanding traction and excellent manoeuvrability ensure optimum grip and stability, resulting in improved driving comfort in the field and on the road. For added grip, 2.15m-diameter tyres (710/75 R42 or 900/60 R42) can be optionally fitted. The rugged front axle is equipped with centre pivot suspension and wet multi-disc brakes.

Reliable wet multi-disc rear axle brakes ensure safe controlled stopping power. When braking, the four-wheel drive engages automatically, which in turn brakes the front axle for efficient braking on all four wheels.

All X8 tractors are also equipped with brake booster to reduce pedal braking effort for improved driving accuracy.



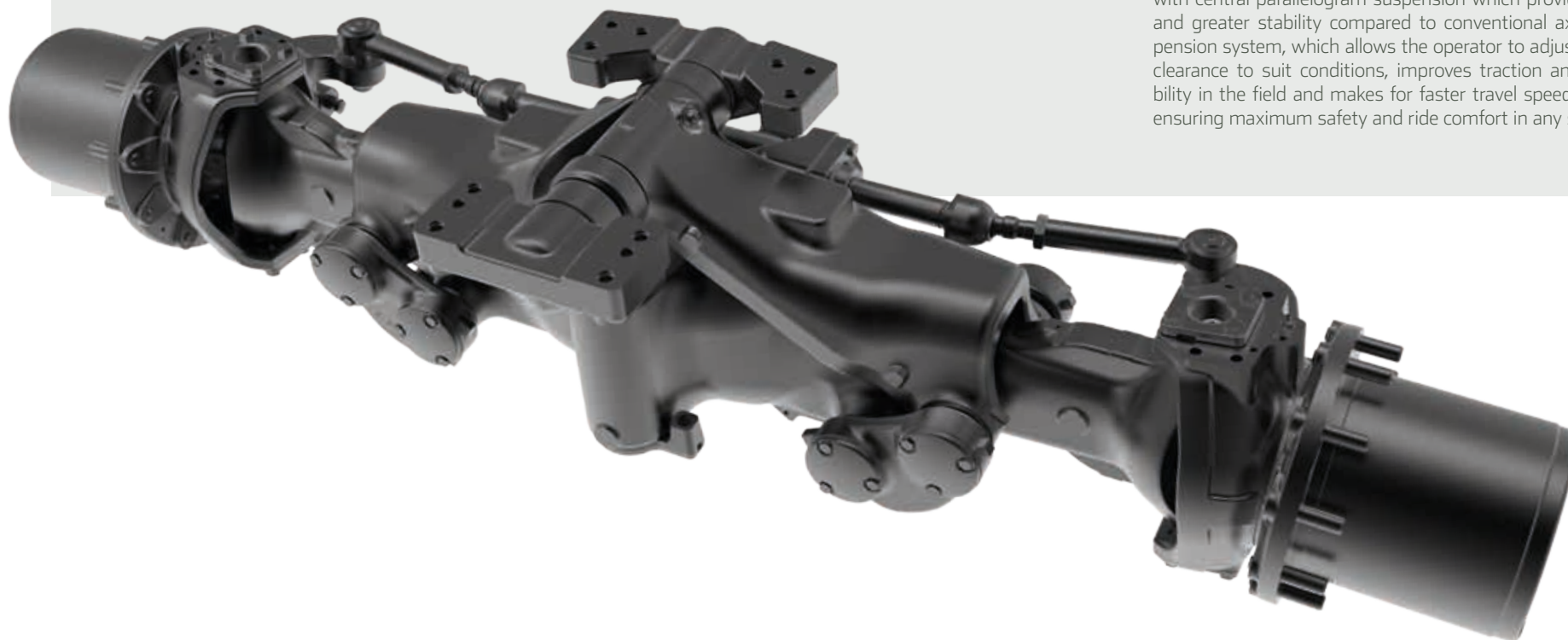
AUTOMATIC 4WD AND DIFFERENTIAL LOCK ENGAGEMENT

All X8 series models are equipped with combined front and rear differential locks to reduce wheel slip and maximise traction. The system, which is controlled electronically via a steering-angle sensor, enables the differential lock and the four-wheel drive to be automatically engaged and disengaged during headland operations.



PIVOTING FRONT AXLE

The X8 features an electronically-controlled pivoting front axle with central parallelogram suspension which provides better grip and greater stability compared to conventional axles. This suspension system, which allows the operator to adjust front ground clearance to suit conditions, improves traction and manoeuvrability in the field and makes for faster travel speeds on the road, ensuring maximum safety and ride comfort in any situation.



X8, HIGH-PERFORMANCE HYDRAULICS

The most powerful rear hitch in its class.

Powerful and reliable, the rear hitch of the X8 provides a lift capacity of up to 12000 kg and gives the operator precise control of the implement during head-land turns and road transport.

The front hitch is equally efficient and reliable.

Integrated into the tractor chassis, the front-mounted hitch of the X8 delivers plenty of lifting power enabling heavy implements to be easily raised when working with front and rear implement combinations. This design enables the hitch to transfer the force evenly over the entire driveline, thereby delivering impressive lifting capability.

Hydraulic system tailored to your specific needs.

Designed to provide high-flow capability, the hydraulic system of X8 offers high-quality components and a wide configuration flexibility to meet the specific needs of farmers and contractors. The system features up to six rear-mounted remote valves with a total flow of 140 l/min, a three-way flow divider, two mid-mounted and three front-mounted remote valves, and fully customizable controls. All functions are controlled electronically and can be configured via a touch screen monitor.





THE X8 KNOWS HOW TO PUMP UP YOUR **PRODUCTIVITY**

The X8 tractors feature a closed-centre hydraulic system with variable-displacement pump. This means that the pump always delivers exactly the quantity of oil that the system requires, thereby eliminating unnecessary power waste. The system supplies 157 l/min to the hitch and remote valves and 115 l/min to the electronic steering system, allowing for simultaneous operation of all hydraulic functions.

The rear hitch provides a lifting capacity of up to 12000 kg. The system features up to eleven electrohydraulic remote valves: six at the rear, three at the front and two in the middle.



HIGHLIGHTS

- › Closed-centre hydraulic system with 157 l/min variable-displacement pump. A 212 l/min pump is available as an option.
- › Electronically-controlled rear hitch with up to 12000 kg lift capacity.
- › Front hitch with up to 5000 kg lift capacity as standard.
- › Three-speed PTO as standard (540Eco/1000/1000Eco rpm).
- › Front hitch and PTO option.
- › The system includes a 3-way flow divider and up to 11 dedicated electrohydraulic remote valves: 6 at the rear, 2 mid-mounted and 3 at the front, including one dedicated to the hitch.



Rear PTO

The X8 range has been designed to operate in a variety of conditions with heavy, power-demanding implements. The driveline design ensures minimal power loss, resulting in maximum productivity.

The PTO offers three electronically selectable speeds: 540Eco, 1000 and 1000Eco rpm. An electro hydraulically operated clutch enables smooth and modulated engagement of the PTO, ensuring a soft start-up of the implement.

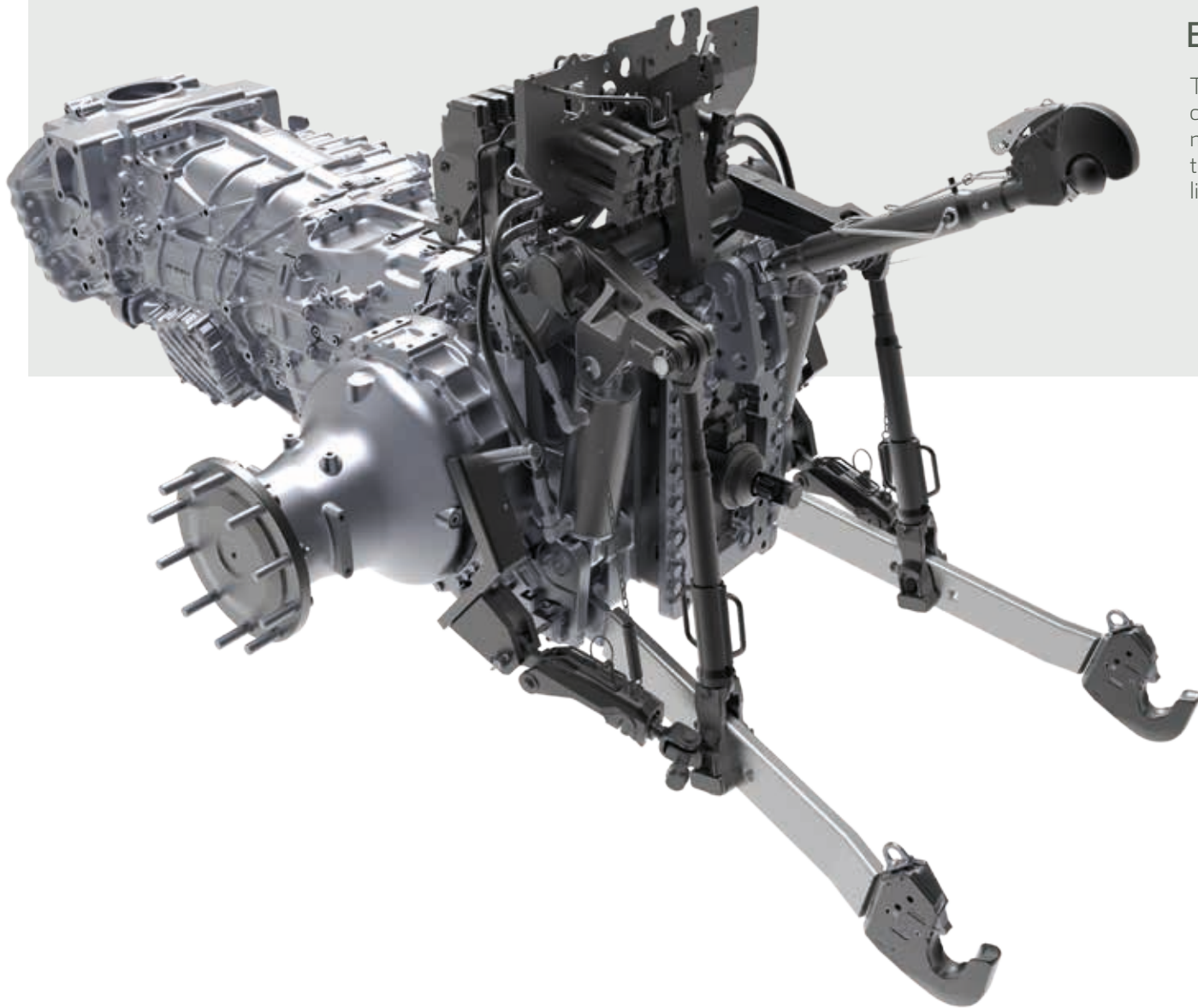
External PTO, hitch and remote valve controls are located on the rear fenders making it easier to attach implements from the ground.



AUTO PTO FUNCTION

The Auto PTO feature will automatically disengage and reengage the PTO at three-point linkage heights set by the operator. This gives the operator precise control of the implement during headland turns.

REAR HITCH



Electronically-controlled rear hitch

The ergonomically-designed VT Easy Pilot controller enables convenient and intuitive operation of the rear hitch and implements. Offering a maximum lift capacity of 12000 kg, the three-point hitch is Category 4N/3 and is equipped with lower link draft sensing for accurate implement control.

CONVENIENT REAR HITCH CONTROLS

External PTO, hitch and remote valve controls are located on the rear fenders making it easier to attach implements from the ground.



Front hitch and PTO

All X8 tractors come standard with a front hitch capable of lifting up to 5000 kg.
A front PTO with one dedicated remote valve is available as an option.



REMOTE VALVES

The X8 tractors can be fitted with up to eleven double-acting remote valves controlled electrohydraulically from the multi-function armrest.
One valve is controlled by the VT Easy Pilot controller and four are operated via fingertip controls, one of which is dedicated to the three-way flow divider.
The armrest also integrates a mini-joystick which operates three remote valves to control either a front hitch or a front loader.







PRECISION FARMING TO HARVEST ECONOMIC AND PRODUCTIVE BENEFITS



You can plan and check farming activities from the comfort of your home.

Report and pre-setting activities become user-friendly and can be done from home. This eliminates the need for expert operators, thus reducing operating costs.

With precision farming tools, the X8 makes you save up to 7% of costs.

As research in the sector has demonstrated, the satellite-based guidance system of the X8 tractor helps saving up to 7% on costs of fuel, equipment, fertilisers and pesticides.

Perform every task with maximum efficiency.

With the ISOBUS system the operator can manage the implements without the need to install a control unit inside the cab. The implement operating parameters are monitored via a simple touch screen display.

SATELLITE-BASED GUIDANCE: HIGHER ACCURACY, GREATER PRODUCTIVITY



The optional satellite-based guidance system is controlled via a dedicated 8.4-inch touch screen monitor in conjunction with a satellite antenna fitted on the roof of the tractor cab. The monitor manages two functions:

1. The Precision Steering Management system: using the real-time kinematic (RTK) navigation method, the system provides precise steering control in row-crop operations delivering up to 2cm pass-to-pass accuracy. Such a high level of precision greatly increases productivity per unit land area.

Supplied in conjunction with the satellite guidance system is also the Eazysteer function, which allows the tractor to make a complete turn with just a quick turning of the steering wheel. This avoids multiple turns of the steering wheel, thereby improving ride comfort and optimising working time.

2. Configuration and control of the ISOBUS system with management of advanced features such as ISO-TC and TC-GEO.



SATELLITE ANTENNA

The satellite antenna placed on the cab roof receives the GNSS signal.



ELECTRONIC STEERING WHEEL

The electronic steering wheel allows precise steering delivering up to 2cm pass-to-pass accuracy in row-crop operations.

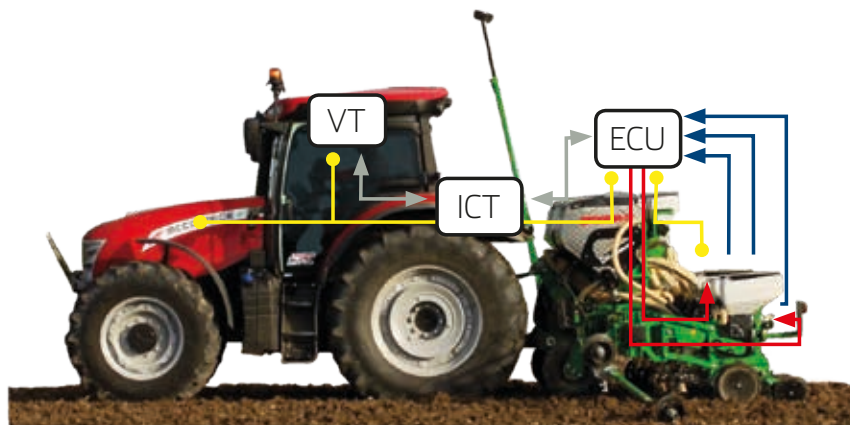
ISOBUS, FOR SIMPLE AND EFFICIENT IMPLEMENT CONTROL

The X8 tractor range can be optionally equipped with an ISOBUS system, a protocol for data communication between tractor, implement and on-board computer, that enhances operating efficiency and productivity. With the ISOBUS system, the operator can manage the operating parameters and performance of the implement via a simple touch screen monitor, without the need to install a dedicated control unit inside the cab.



TOUCH SCREEN MONITOR

An 8.4-inch touch screen monitor manages the satellite-based guidance and the ISOBUS system.



Benefits of satellite-based guidance and ISOBUS system

The satellite-based guidance and the ISOBUS system maximise efficiency and productivity while improving riding comfort and safety:

- › Each implement operation is controlled with extreme accuracy. Implement can also be managed via an electronic self-adjustment feature.
- › Reducing the travelled distance in the field reduces tractor and implement wear and saves fuel.
- › The application of variable rate treatments eliminates skips and overlaps; this minimizes product wastes and reduces working time while maximizing efficiency and crop yield.
- › Precision farming reduces chemical residues. For example, it makes it possible to place fertilizer only in a specific row that will be sown at later date: at the time of seeding, the row will be found thanks to the map system of the automatic guidance.
- › To make satellite-based guidance safer, the X8 is equipped with sensors which reacts to the presence of persons or things that are not displayed on the satellite map. If, for example, a child appears within the tractor working area but in a spot not visible to the operator, the system will detect it and react promptly.
- › Report and pre-setting operations become more user-friendly and can be done from home. This eliminates the need for expert operators, thus reducing operating costs.

QUICK MAINTENANCE TO GET YOU BACK UP AND RUNNING

Designed to deliver maximum efficiency and reliability, the X8 range offers a variety of solutions to simplify and expedite maintenance:

- › The tilt-up hood opens wide to provide easy access to the engine compartment for maintenance and radiator cleaning.
- › Oil filler cap is placed in the lower part of the engine, so topping up of engine oil can be done without opening the hood.
- › Engine air filter is positioned in such a way as to facilitate cleaning and replacement.
- › The cooling radiators open fully from a single latch to allow fast and easy cleaning.
- › The fuel and AdBlue® tanks are conveniently placed to allow quick filling. Tank caps have different colours.
- › In-cab air filter is easily accessible for maintenance.
- › Oil level in the transmission can be conveniently checked through the transparent oil filler cap with dipstick placed on the rear of the tractor.
- › Windscreen wiper fluid reservoir is located on the back of the cab.







McCORMICK **SPARE PARTS AND SERVICE,** TO GIVE YOU THE BEST ALWAYS

McCormick is worldwide recognized as a reliable supplier of high-quality spare parts and after-sales services. Developed by the same engineers who design and manufacture the McCormick tractors, genuine McCormick parts are designed and manufactured to the highest quality standards to ensure tractors reliable performance and maximum safety. The pluses of McCormick's after-sales service include following:

- Spare parts are delivered promptly and efficiently to McCormick's dealers on the same day of order.

- Each part comes with a 12-month warranty and bears a non-falsifiable hologram which certifies its build quality and genuineness.
- Original McCormick parts are reliable and convenient, as they enhance the working quality and efficiency of the X8 tractors.

After-sales service is handled by our dealers through a team of highly-skilled, solution-oriented technicians who avail themselves of the latest diagnostic techniques. Choosing McCormick means choosing excellence.







McCORMICK, INNOVATORS BY TRADITION

Cyrus Hall McCormick was born in Virginia, United States, in 1809. As a pioneer in engineering, McCormick had a stunning ability to mechanize farm work, as he demonstrated when, in 1831, he invented the first mechanical reaper.

The McCormick company was established in 1847. It produced wheat harvesters. Starting from 1866, the company adopted the colour red which from then on would distinguish McCormick around the world. In 1871, McCormick manufactured the greatest number of machines than any other company: 250 reapers per day. The first tractor, the Mogul 8-16, was launched in 1910. In those years, the company opened up factories in Canada, Great Britain, Germany, France and Sweden.

In the following years, the company was bought and sold various times. In 2001, McCormick was acquired by the Argo Group, which re-launched the brand under the name McCormick Tractors International Limited.

Today, McCormick is a world leader in the tractor industry and its name stands for uncompromised technology and innovative design. Thanks to heavy investments in research and development, the new generation of McCormick tractors is now positioned at the top of the market for performance and innovation. Farmers look for performance, reliability and versatility and this is exactly what McCormick offers its customers to maximize their productivity.



ARGO TRACTORS. QUALITY WORK, QUALITY LIFE

Picking up and revitalizing the wealth of experience and technology of companies that have made the history of mechanized farming. This is the commitment of Argo Tractors SpA, the industrial group that with the Landini, McCormick and Valpadana brands has created a global tractor manufacturing hub.

Argo Tractors' strategy is based on close integration between engineering, manufacturing and marketing activities. The R&D and engineering division is located at the main headquarters in Fabbrico (Reggio Emilia). The production is based on the synergy between three plants, each of which dedicated to a specific product line, and two spare parts distribution centres based in Italy and the United States.

Today, with the Landini, McCormick and Valpadana brands, Argo Tractors offers one of the most comprehensive product ranges on the market, covering 3-, 4- and 6-cylinder tractor families in the power range from 25 to over 310 hp for a variety of open-field, vineyard and orchard applications, including crawler, utility and equal-wheeled tractors. But more importantly, at the heart of Argo Tractors' project is man, with the company's commitment to respect the environment and make the daily work of farmers safer and more comfortable.





		X8.660 VT DRIVE	X8.670 VT DRIVE	X8.680 VT DRIVE
ENGINE				
TIER 4 FINAL		BETAPOWER	BETAPOWER	BETAPOWER
ELECTRONIC HIGH PRESSURE COMMON RAIL		●	●	●
TURBO/AIR-TO-AIR INTERCOOLER		●	●	●
MAX ENGINE POWER AT 1900 RPM (ISO TR 14396 ECE R120)	HP/KW	264/194	286/210	310 /228
RATED ENGINE POWER AT 2200 RPM (ISO TR 14396 ECE R120)	HP/KW	258/190	271 /199	301 / 221
RATED ENGINE SPEED	RPM	2100	2100	2100
MAX TORQUE (ISO TR 14396 ECE R120)	NM	1132	1194	1282
TORQUE RISE		37%	32%	28%
BORE / STROKE	MM	104 / 132	104 / 132	104 / 132
DISPLACEMENT / CYLINDERS / VALVES	CM ³	6728/6/24	6728/6/24	6728/6/24
SCR AFTER-TREATMENT SYSTEM		●	●	●
ADBLUE TANK CAPACITY	L	70	70	70
FUEL TANK CAPACITY	L	550	550	550
CLUTCH				
MULTI-DISC WET CLUTCH		●	●	●
TRANSMISSION				
VT-DRIVE CONTINUOUS VARIABLE TRANSMISSION (4 CVT RANGES)		●	●	●
ECO FORTY (40 KM/H) AT REDUCED ENGINE RPM		●	●	●
TOP FIFTY (50 KM/H)		○	○	○
REVERSE POWER SHUTTLE		●	●	●
ELECTROHYDRAULIC DIFFERENTIAL LOCK ON REAR AXLE		●	●	●
POWER TAKE-OFF				
WET MULTI-DISC PTO CLUTCH		●	●	●
MODULATED ELECTROHYDRAULIC ENGAGEMENT		●	●	●
3 SPEEDS: 540/1000/1000E	RPM	●	●	●
FRONT 4WD AXLE				
WITH ELECTRONICALLY-CONTROLLED HYDRAULIC SUSPENSIONS		●	●	●
ELECTROHYDRAULIC 4WD ENGAGEMENT		●	●	●
MAX. STEERING ANGLE	DEGREES	55°	55°	55°
ELECTROHYDRAULIC DIFFERENTIAL LOCK		●	●	●
BRAKING SYSTEM				
WET MULTI-DISK REAR BRAKES		●	●	●
AUTOMATIC 4WD ENGAGEMENT ON BRAKING		●	●	●
BRAKING BOOSTER SYSTEM SERVO BRAKE		●	●	●
HYDRAULIC TRAILER BRAKING		○	○	○
PNEUMATIC TRAILER BRAKING		○	○	○
HYDRAULIC SYSTEM				
CLOSED-CENTRE CIRCUIT		●	●	●
HYDRAULIC PUMP FLOW	L/MIN	157 (212 OPT)	157 (212 OPT)	157 (212 OPT)
STEERING PUMP FLOW	L/MIN	115	115	115
ELECTROHYDRAULICALLY-OPERATED REAR REMOTE VALVES	STD/OPT	4 / 6	4 / 6	4 / 6
ELECTROHYDRAULICALLY-OPERATED MID-MOUNTED REMOTE VALVES		2 ○	2 ○	2 ○
ELECTROHYDRAULICALLY-OPERATED FRONT REMOTE VALVES		2 ●	2 ●	2 ●
3-WAY FLOW DIVIDER		○	○	○
EAZYSTEER STEERING SYSTEM		●	●	●

		X8.660 VT DRIVE	X8.670 VT DRIVE	X8.680 VT DRIVE
CAN BUS LIFT CONTROL HITCH				
ELECTRONICALLY-CONTROLLED REAR HITCH		●	●	●
MAX LIFT CAPACITY	KG	12000	12000	12000
DRAFT SENSING ON LOWER LINKS		●	●	●
THREE-POINT HITCH	CAT.	3	3	3
DOUBLE-ACTING FRONT HITCH (LIFT CAPACITY 5000 KG)		●	●	●
CAB AND DRIVING POSITION				
PREMIERE CAB WITH FOUR-POST DESIGN AND FLAT-DECK PLATFORM		●	●	●
ELECTRONICALLY-CONTROLLED HYDRAULIC CAB SUSPENSION (SEMI-ACTIVE CAB SUSPENSION)		●	●	●
AUTOMATIC CLIMATE CONTROL		●	●	●
DIGITAL INSTRUMENT PANEL WITH PERFORMANCE MONITOR		●	●	●
DELUXE LOW-FREQUENCY AIR SUSPENSION SEAT WITH VENTILATION AND ARMREST		●	●	●
PSM ADAPTOR		●	●	●
RADIO / BLUETOOTH / MP3 READY		●	●	●
ISOBUS ADAPTOR		●	●	●
ISOBUS FRONT ADAPTOR		○	○	○
12" TOUCH SCREEN MONITOR		●	●	●
PSM GUIDANCE KIT (PRECISION STEERING MANAGEMENT)		○	○	○
HIDE AWAY BUDDY SEAT + AIR-CONDITIONED IN-CAB STORAGE COMPARTMENT		●	●	●
LED LIGHTS		●	●	●
DIMENSIONS AND WEIGHTS				
FRONT TYRES		650/65R34	650/65R34	650/65R34
REAR TYRES		900/60R42	900/60R42	900/60R42
A - MAX LENGTH (WITH BALLAST WEIGHTS)	MM	5150	5150	5150
B - MIN WIDTH	MM	2930	2930	2930
C - WHEELBASE	MM	3000	3000	3000
D - HEIGHT OVER CAB	MM	3400	3400	3400
E - GROUND CLEARANCE	MM	520	520	520
TOTAL WEIGHT WITHOUT BALLAST WEIGHTS	KG	10800	10800	10800
OPTIONAL EQUIPMENT				
FRONT HITCH AND PTO		○	○	○
FRONT WEIGHT FOR HITCH 2450 KG		○	○	○
BALLAST WEIGHTS FOR REAR WHEELS 4 X 250 KG		○	○	○

Key: ● standard ○ option — not available





Power Technology.

via G. Matteotti, 7 | 42042 Fabbrico [RE] Italia | t. +39.0522.656.111 | f. +39.0522.656.476
webmaster@argotracors.com | www.argotracors.com



graphic design: **gruppo saldatori** | bzzbzz@grupposaldatori.com
All data and illustrations provided in this brochure are for information purposes only and can be changed without notice.

GB
6636935A1